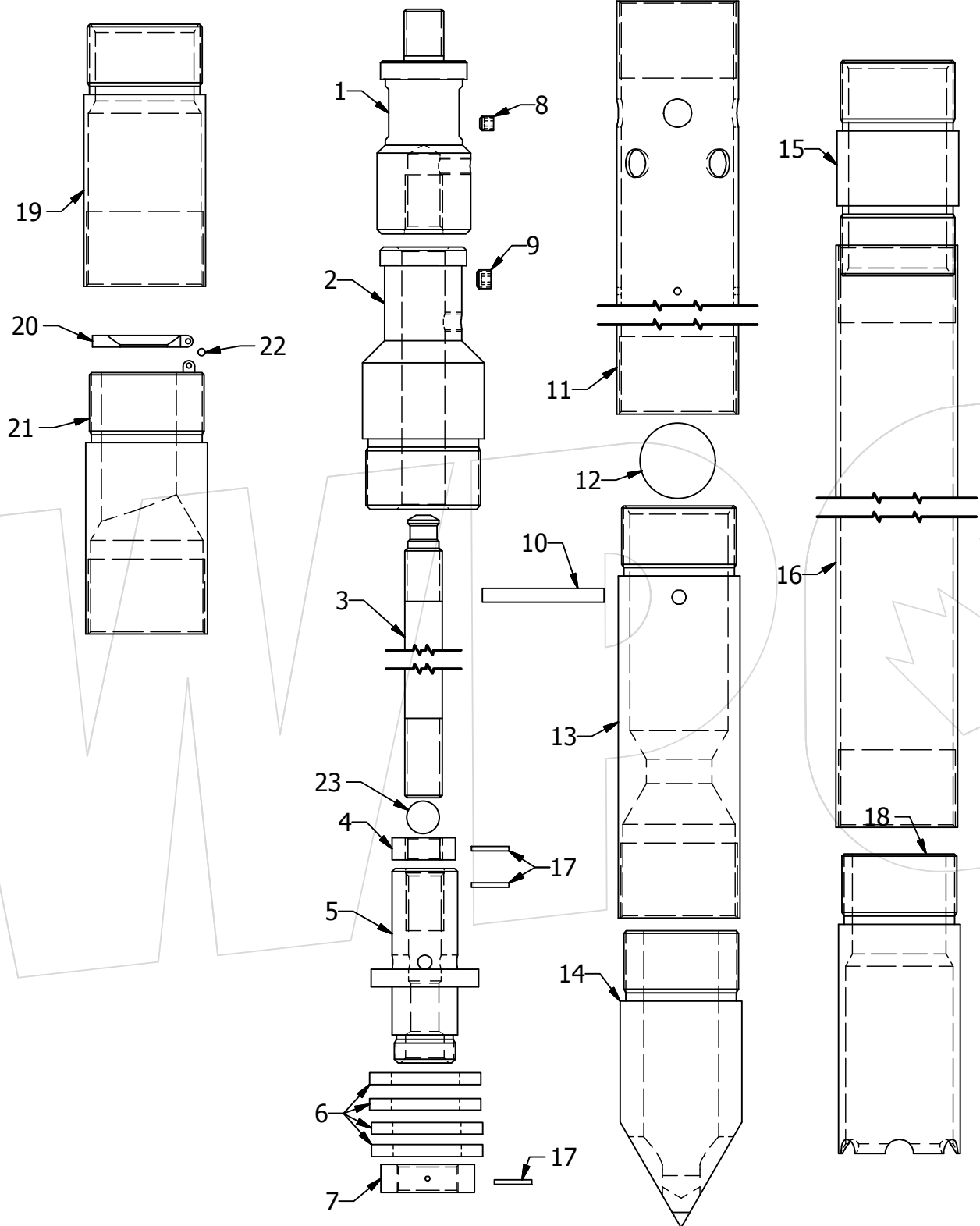


# WESTERN PRESSURE CONTROLS 2005 LTD.



TOOL

## STROKE BAILER

# WPC

10021-56 AVENUE  
EDMONTON, ALBERTA, CANADA  
PHONE: (780) 437-3615  
FAX: (780) 437-3616

# WESTERN PRESSURE CONTROLS 2005 LTD.

#	PART NAME	1 1/4"	1 1/2"	1 5/8"	1 3/4"	2 1/8"	3 1/4"
	ASSEMBLY	K1.250SB00	K1.500SB00	K1.625SB00	K1.750SB00	K2.125SB00	K3.250SB00
1	TOP SUB	K1.250SB01	K1.500SB01	K1.625SB01	K1.750SB01	K2.125SB01	K3.250SB01
2	PISTON STOP	K1.250SB02	K1.500SB02	K1.625SB02	K1.750SB02	K2.125SB02	K3.250SB02
3	STROKE ROD	K1.250SB03	K1.500SB03	K1.625SB03	K1.750SB03	K2.125SB03	K3.250SB03
4	NUT						
5	PISTON	K1.250SB06	K1.500SB06	K1.625SB06	K1.750SB06	K2.125SB06	K3.250SB06
6	WOBBLE WASHERS	K1.250SB07	K1.500SB07	K1.625SB07	K1.750SB07	K2.125SB07	K3.250SB07
7	PISTON NUT	K1.250SB08	K1.500SB08	K1.625SB08	K1.750SB08	K2.125SB08	K3.250SB08
8	TOP SUB SET SCREW	--	--	1/8" SHEAR PIN	1/8" SHEAR PIN	1/8" SHEAR PIN	3/8-16UN
9	PISTON STOP SET SCREW	1/4-20UN	--	--	--	3/8-16UN	1/2-13UN
10	BALL RETAINER PIN	K1.250SB23	K1.500SB23	K1.625SB23	K1.750SB23	K2.125SB23	K3.250SB23
11	WORKING BARREL	K1.250SB04	K1.500SB04	K1.625SB04	K1.750SB04	K2.125SB04	K3.250SB04
12	BALL	5/8"	7/8"	7/8"	1"	1 1/4"	2"
13	BALL HOUSING	K1.250SB11	K1.500SB11	K1.625SB11	K1.750HB11	K2.125SB11	K3.250SB11
14	CHISEL BOTTOM	K1.250HB23	K1.500SB15	K1.625HB23	K1.750HB23	K2.125HB22	K3.250SB15
15	CONNECTOR SUB	K1.250SB09	K1.500SB09	K1.625SB09	K1.750SB09	K2.125SB09	K3.250SB09
16	LOAD BARREL	K1.250SB10	K1.500SB10	K1.625SB10	K1.750SB10	K2.125SB10	K3.250SB10
17	SHEAR PINS	--	--	1/8"	1/8"	1/8"	1/8"
18	SHOE	K1.250SB13	K1.500SB13	K1.625HB16	K1.750HB16	K2.125HB16	K3.250SB13
19	FLAPPER TOP SUB	K1.250SB22	K1.500SB22	K1.625SB22	K1.750SB22	K2.125SB22	K3.250SB22
20	FLAPPER	H1.250HB18	K1.500SB21	K1.625HB18	K1.750HB18	K2.125HB18	K3.250SB21
21	FLAPPER SUB	K1.250HB17	K1.500SB14	K1.625HB17	K1.750HB17	K2.125HB17	K3.250SB14
22	FLAPPER RETAINER PIN SOLD ON ASSEMBLY	--	--	--	--	--	--
23	PISTON BALL	1/4"	1/4"	5/8"	5/8"	5/8"	7/8"
	VOLUME (L/ft)	0.12	0.2	0.27	0.3	0.47	1.39

**PURPOSE:**

Used to remove debris from the wellbore.

TOOL

## STROKE BAILER



10021-56 AVENUE  
EDMONTON, ALBERTA, CANADA  
PHONE: (780) 437-3615  
FAX: (780) 437-3616