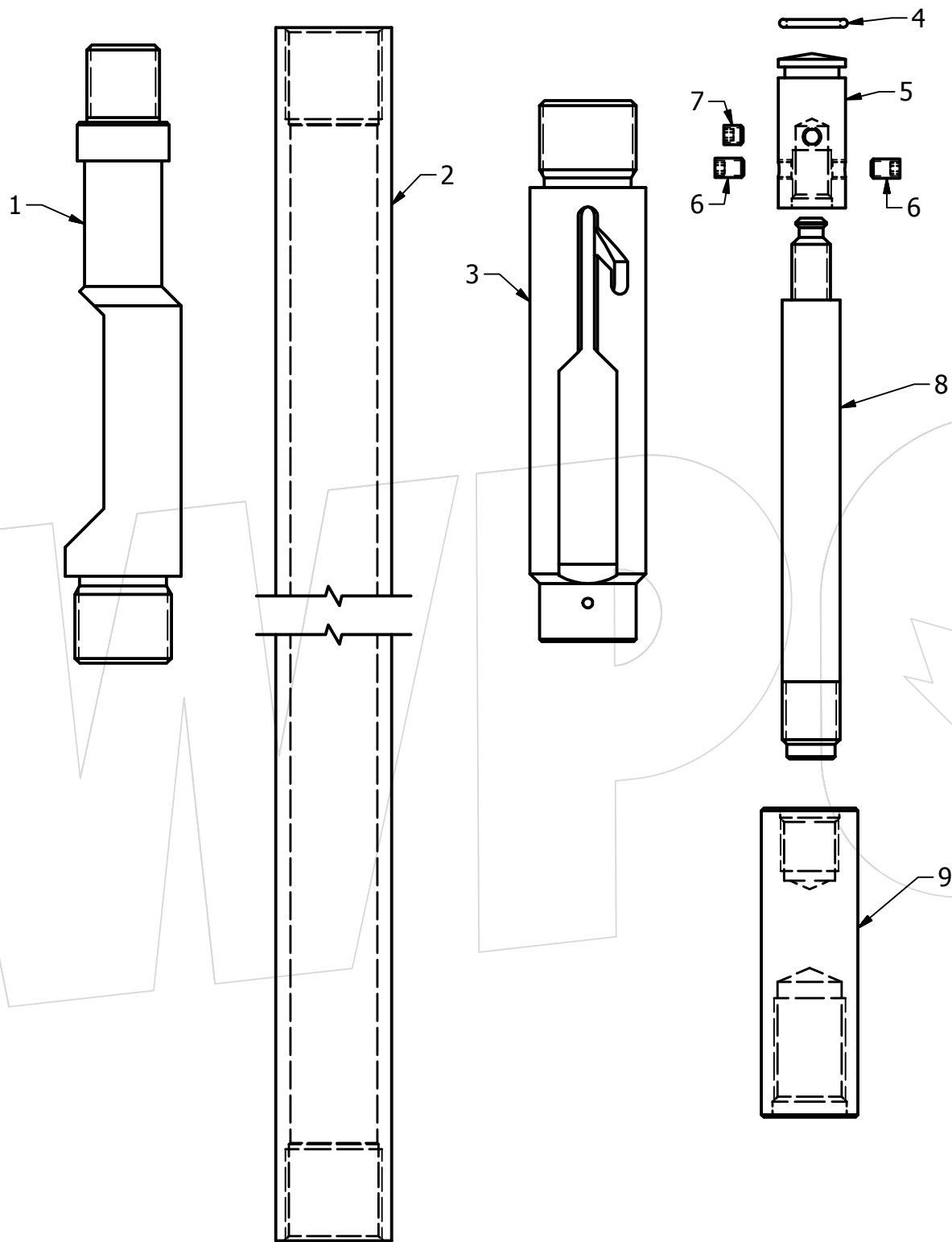


WESTERN PRESSURE CONTROLS 2005 LTD.



TOOL

W.P.C. J-SLOT
DUMP BAILER

WPC

10021-56 AVENUE
EDMONTON, ALBERTA, CANADA
PHONE: (780) 437-3615
FAX: (780) 437-3616

WESTERN PRESSURE CONTROLS 2005 LTD.

| # | NAME | 1.500 | 1.750 | 2.125 | 3.250 |
|---|-------------------|-----------------|-----------------|-----------------|------------------|
| | ASSEMBLY | K1.500DBJ00 | K1.750DBJ00 | K2.125DBJ00 | K3.250DBJ00 |
| 1 | TOP SUB | K1.500DB01 | K1.750DB01 | K2.125DB01 | K3.250DB01 |
| 2 | BARREL | K1.500SB10 | K1.750SB10 | K2.125SB10 | K3.250SB10 |
| 3 | PISTON HOUSING | K1.500DB07 | K1.750DB07 | K2.125DB07 | K3.250DB07C |
| 4 | O-RING | 115 | 213 | 218 | 331 |
| 5 | PISTON | K1.500DB08 | K1.750DB08 | K2.125DB08 | K3.250DB08C |
| 6 | PISTON SET SCREWS | 1/4-20UN x 3/8" | 1/4-20UN x 3/8" | 1/4-20UN x 3/8" | 1/4-20UN x 1/2" |
| 7 | SHAFT SET SCREW | 1/4-20UN x 1/4" | 1/4-20UN x 1/4" | 1/4-20UN x 3/8" | 5/16-18UN x 1/2" |
| 8 | SHAFT | K1.500DB09 | K1.750DB10 | K1.750DB10 | K3.250DB09C |
| 9 | BOTTOM SUB | K1.500DB10 | K1.750DB11 | K1.750DB11 | K3.250DB10C |
| | VOLUME (L/ft) | 0.2 | 0.3 | 0.47 | 1.39 |



PURPOSE:

To dump fluids down the well
on top of any device or blockage

SPECIFICATIONS:

J-latch does not release fluid till tool is pulled
off of the bottom of the well.

TOOL

**W.P.C. J-SLOT
DUMP BAILER**



10021-56 AVENUE
EDMONTON, ALBERTA, CANADA
PHONE: (780) 437-3615
FAX: (780) 437-3616