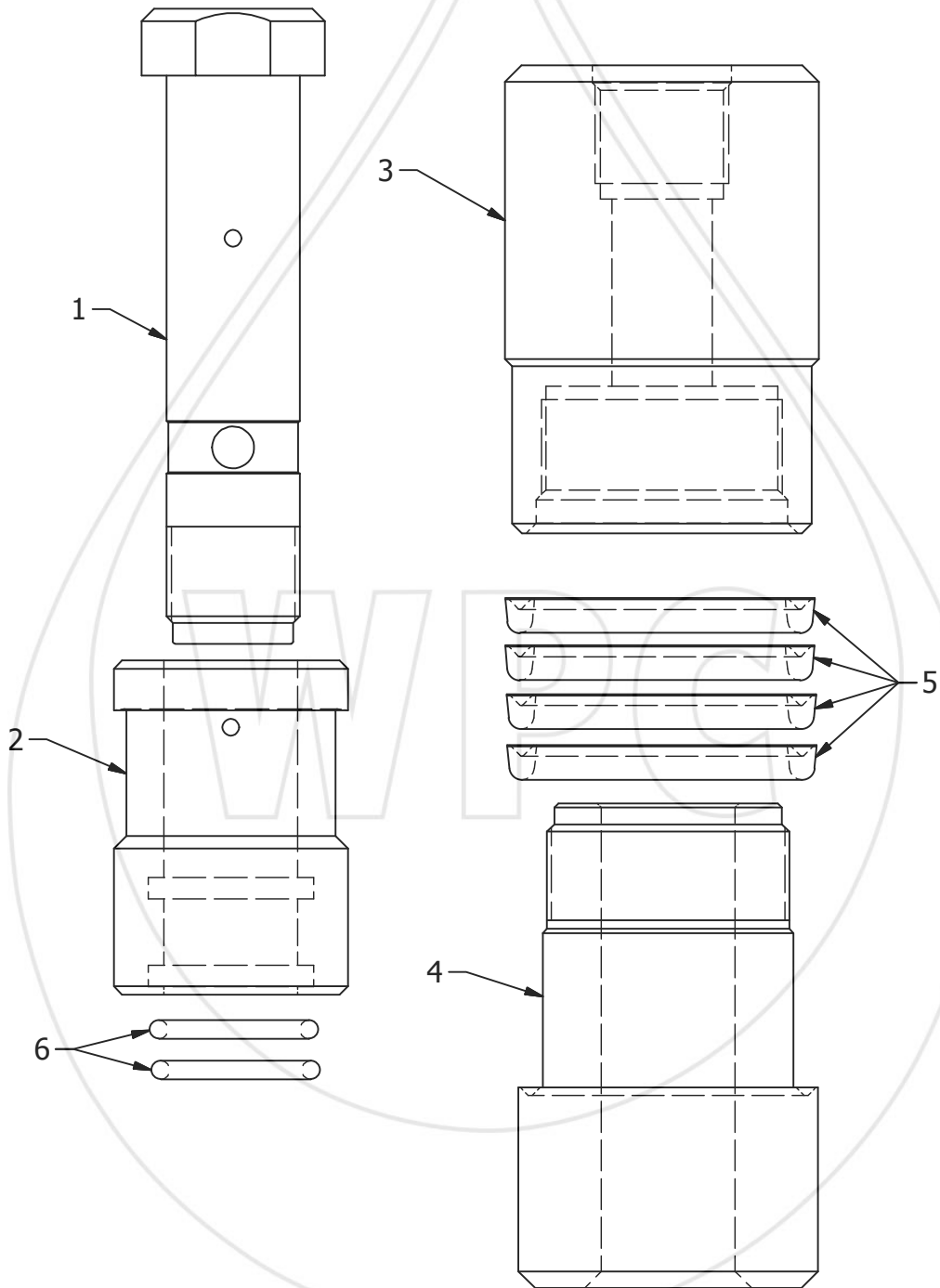


WESTERN PRESSURE CONTROLS 2005 LTD.



TOOL

AW-TEST TOOL



**WESTERN PRESSURE
CONTROLS 2005 LTD.**
10021-56TH AVENUE
EDMONTON, AB, CA
PH: (780) 437-3615
FX: (780) 437-3616

www.westernpressure.com

WESTERN PRESSURE CONTROLS 2005 LTD.

#	PART NAME	2.375"	2.875"	2.750"	2.813"
	ASSEMBLY	T2.375AW00	T2.875AW00	T3.000AW00	T3.000AW00
1	TOP SUB	T2.375AW01	T2.375AW01	T2.375AW01	T2.375AW01
2	FISHNECK	T2.375AW02	T2.875AW02	T3.000AW02	T3.000AW02
3	NO-GO SUB	T2.375AW03	T2.875AW03	T3.000AW03	T3.000AW03
4	PACKING SUB	T2.375AW04	T2.875AW04	T3.000AW04	T3.000AW04
5	PACKING NITRILE KEVLAR	OVP91V310NK	OVP91V318NK	OVP91V3376NK	OVP91V1330NK
5	PACKING MOLYGLASS TEFLON	OVP91V4411MG	OVP91V4308MG	OVP91V4397MG	OVP91V395MG
6	O-RING	214	214	214	214

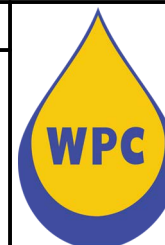
WPC

PURPOSE:

To plug off the tubing bore from one direction.

TOOL

AW-TEST TOOL



**WESTERN PRESSURE
CONTROLS 2005 LTD.**
10021-56TH AVENUE
EDMONTON, AB, CA
PH: (780) 437-3615
FX: (780) 437-3616

www.westernpressure.com