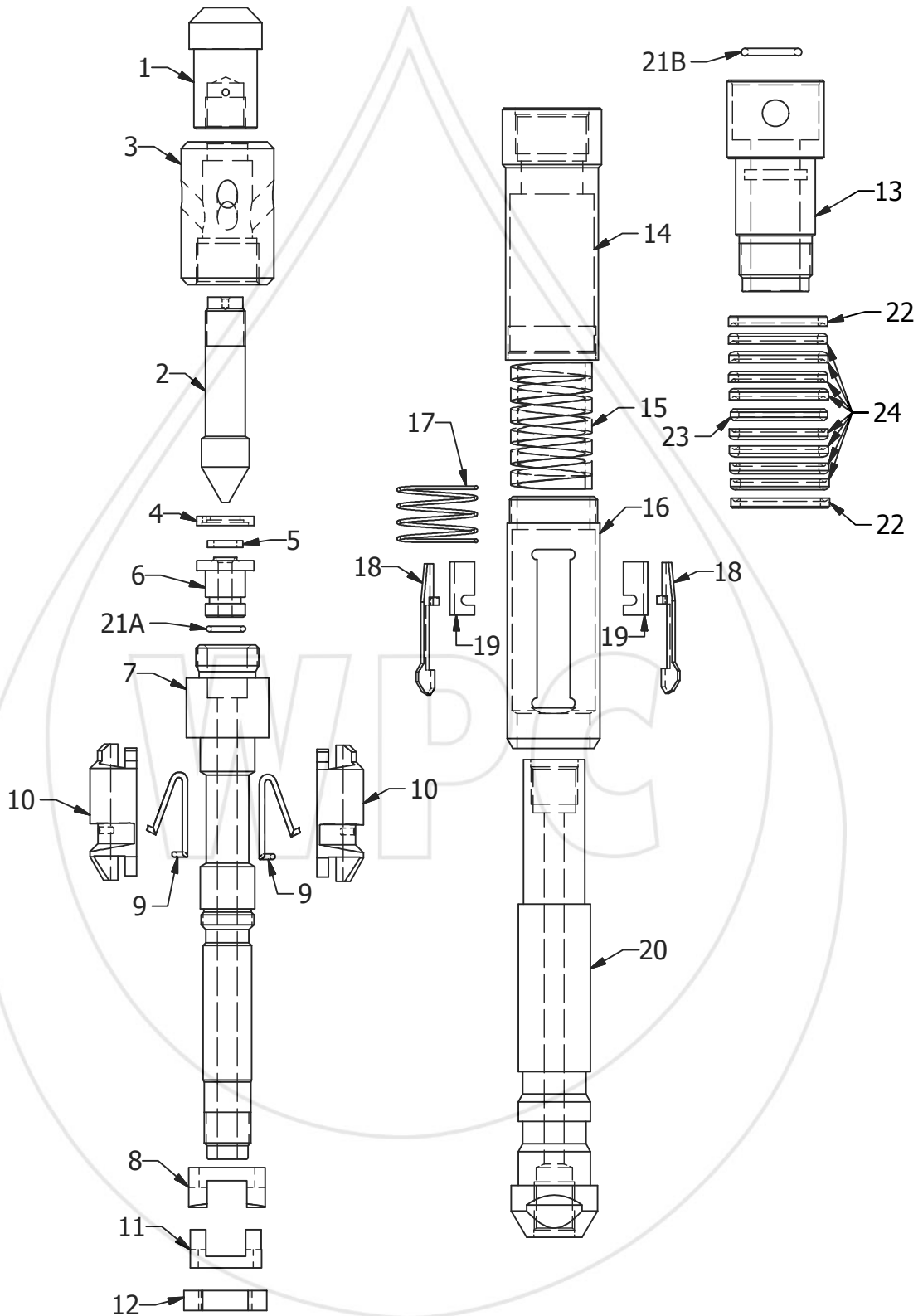


WESTERN PRESSURE CONTROLS 2005 LTD.



TOOL

XO-TEST TOOL



**WESTERN PRESSURE
CONTROLS 2005 LTD.**
10021-56TH AVENUE
EDMONTON, AB, CA
PH: (780) 437-3615
FX: (780) 437-3616

www.westernpressure.com

WESTERN PRESSURE CONTROLS 2005 LTD.

#	PART NAME	2.000"	2.500"	2.750"	2.813"
	ASSEMBLY	T2.000XO00	T2.500XO00	T2.750XO00	T2.813XO00
1	FISHNECK	T2.000NTT01	T2.000NTT01	T2.000NTT01	T2.000NTT01
2	DROP	T2.000NTT02	T2.000NTT02	T2.000NTT02	T2.000NTT02
3	CAGE	T2.000NTT03	T2.000NTT03	T2.000NTT03	T2.000NTT03
4	PACKING RETAINER	T2.000NTT04	T2.000NTT04	T2.000NTT04	T2.000NTT04
5	SEAL RING	T2.000NTT05	T2.000NTT05	T2.000NTT05	T2.000NTT05
6	SEAL INSERT	T2.000NTT06	T2.000NTT06	T2.000NTT06	T2.000NTT06
7	BODY	T2.000XO01	T2.500XO01	T3.500XO01	T3.500XO01
8	UPPER KEY RETAINER	T2.000XO02	T2.500XO02	T3.500XO02	T3.500XO02
9	KEY SPRING	T2.000XO05	T2.500XO05	T3.500XO05	T3.500XO05
10	KEY	T2.000XO03	T2.500XO03	T3.500XO03	T3.500XO03
11	LOWER KEY RETAINER	T2.000XO04	T2.500XO04	T3.500XO04	T3.500XO04
12	NUT	T2.000XO06	T2.500XO06	T3.500XO06	T3.500XO06
13	PACKING MANDREL	T2.000XO07	T2.500XO07	T3.500XO07	T3.500XO07
14	SPRING HOUSING	T2.000XO09	T2.500XO09	T3.500XO09	T3.500XO09
15	CORE SPRING	T2.000XO10	T2.500XO10	T3.500XO10	T3.500XO10
16	DOG RETAINER	T2.000XO12	T2.500XO12	T3.500XO12	T3.500XO12
17	DOG SPRING	T2.000XO11	T2.500XO11	T3.500XO11	T3.500XO11
18	LOCATOR DOGS	R1.875XR08	R2.313XR08	R3.500XR08	R3.500XR08
19	SPLIT RINGS	R1.875XR07	R2.313XR07	R3.500XR07	R3.500XR07
20	LOCATOR MANDREL	T2.000XO13	T2.500XO13	T3.500XO13	T3.500XO13
21A	SEAL INSERT O-RING	113	113	113	113
21B	PACKING MANDREL O-RING	212	212	223	223
22	FEMALE BACK-UP RING	OM1.875XL06	OM2.313XL06	OM2.750XL06	OM2.813XL06
23	MALE BACK-UP RING	OM1.875XL07	OM2.313XL07	OM2.750XL07	OM2.813XL07
24	PACKING NITRILE KEVLAR	OVP91V310NK	OVP91V218NK	OVP91V3376NK	OVP91V1330NK
24	PACKING MOLYGLASS TEFLON	OVP91V4411MG	OVP91V4308MG	OVP91V4397MG	OVP91V395MG

NOTE:

"NTT" SUB ASSEMBLY CAN BE DRILLED THRU FOR EQUALIZING PURPOSES AND INSTALLED WITH A SHEAR DISK. THIS PROCEDURE LOWERS THE PRESSURE RATING.

PURPOSE:

To pressure test tubing above which the tool is set.

TOOL

XO-TEST TOOL



WESTERN PRESSURE CONTROLS 2005 LTD.
 10021-56TH AVENUE
 EDMONTON, AB, CA
 PH: (780) 437-3615
 FX: (780) 437-3616

www.westernpressure.com

WESTERN PRESSURE CONTROLS 2005 LTD.



XO-TEST TOOL

This tool is used to hold pressure from above, check for leaks or set hydraulic packers. The tool can be set in X or XN nipples. To run the tool, the keys are retracted and the tool is run beneath the desired setting location then pulling up into the nipple will set the test tool and working procedures may start.

- Designed for high pressure environments
- 41XX ALLOY MATERIAL

WPC

PRESSURE RATINGS			
ASSEMBLY NUMBER	HONED NIPPLE I.D.	MAX. WORKING PRESSURE ("X" nipple from above)	MAX. WOKING PRESSURE ("XN" nipple form above)
T2.000XO00	1.875"	10000 psi.	8000 psi.
T2.500XO00	2.313"	10000 psi.	12000 psi.
T2.750XO00	2.750"	9000 psi.	11000 psi.
T2.813XO00	2.813"	9000 psi.	10000 psi.

NOTE: All pressure ratings are reference only under ideal conditions.

TOOL

**OTIS STYLE
XO-TEST TOOL**



**WESTERN PRESSURE
CONTROLS 2005 LTD.**
10021-56TH AVENUE
EDMONTON, AB, CA
PH: (780) 437-3615
FX: (780) 437-3616

www.westernpressure.com