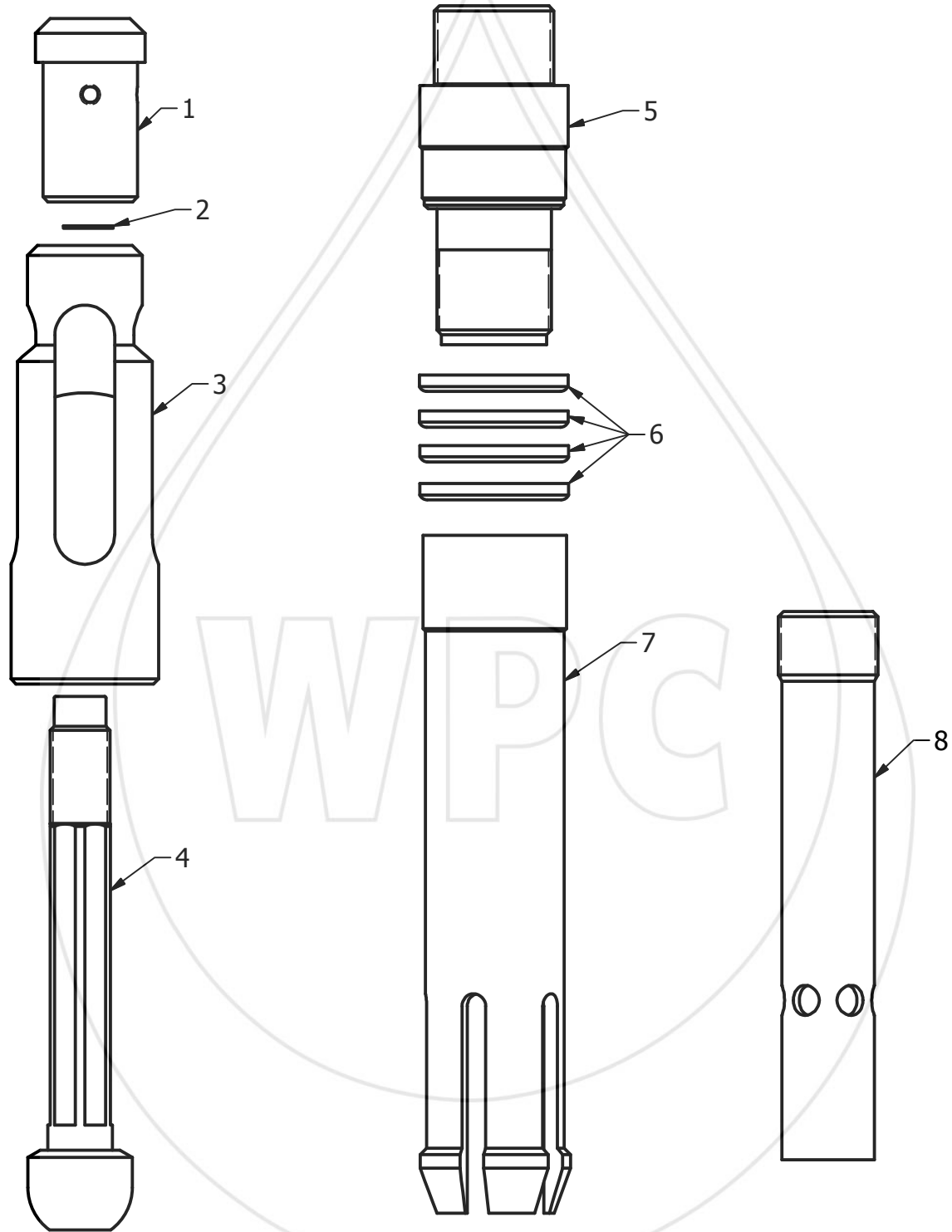


WESTERN PRESSURE CONTROLS 2005 LTD.



TOOL

WJ-VALVE WITH TOOL HANGER



**WESTERN PRESSURE
CONTROLS 2005 LTD.**
10021-56TH AVENUE
EDMONTON, AB, CA
PH: (780) 437-3615
FX: (780) 437-3616

www.westernpressure.com

WESTERN PRESSURE CONTROLS 2005 LTD.

#	PART NAME	2.000	2.500
1	FISHNECK	T2.000WJ01	T2.500WJ01
2	SHEAR DISC	T2.000WJ11	T2.000WJ11
3	CAGE	T2.000WJ03	T2.500WJ03
4	PLUNGER	T2.000WJ02	T2.500WJ02
5	PACKING MANDREL	T2.000WJ04	T2.500WJ04
6	PACKING NITRILE KEVLAR	OVP91V310NK	OVP91V318NK
6	PACKING MOLYGLASS TEFLON	OVP91V4411MG	OVP91V4308MG
7	COLLET	T2.000WJ05	T2.500WJ05
8	TOOL HANGER	T2.000WJ09	T2.500WJ09

WPC

PURPOSE:

To retain fluid above its position in the well bore.

SPECIFICATIONS:

The equalizing spear for jar up pulling tools is also available (not noted).

TOOL

**WJ-VALVE
WITH TOOL HANGER**



**WESTERN PRESSURE
CONTROLS 2005 LTD.**
10021-56TH AVENUE
EDMONTON, AB, CA
PH: (780) 437-3615
FX: (780) 437-3616

www.westernpressure.com