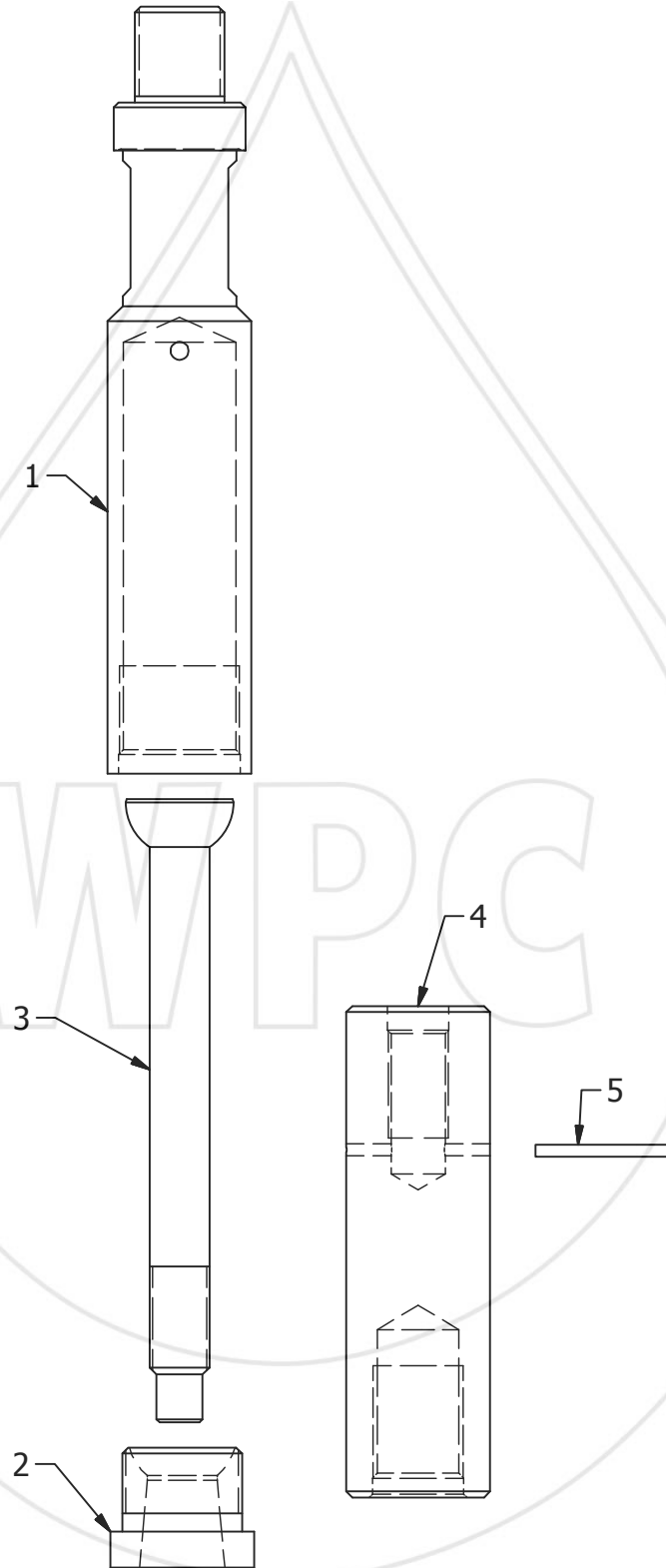


WESTERN PRESSURE CONTROLS 2005 LTD.



TOOL

KNUCKLE JAR



**WESTERN PRESSURE
CONTROLS 2005 LTD.**
10021-56TH AVENUE
EDMONTON, AB, CA
PH: (780) 437-3615
FX: (780) 437-3616

www.westernpressure.com

WESTERN PRESSURE CONTROLS 2005 LTD.

#	PART NAME	1.250"	1.500"
	ASSEMBLY	S1.250KNJ00	S1.500KNJ00
1	FISHNECK	S1.250KNJ01	S1.500KNJ01
2	HOUSING	S1.250KNJ02	S1.500KNJ02
3	SHAFT	S1.250KNJ03	S1.500KNJ03
4	BOTTOM SUB	S1.250KNJ04	S1.500KNJ04
5	SHEAR PIN	1/8"	1/8"

WPC

PURPOSE:

To provide flexibility in the wireline,
as well as light jarring.

TOOL

KNUCKLE JAR



**WESTERN PRESSURE
CONTROLS 2005 LTD.**
10021-56TH AVENUE
EDMONTON, AB, CA
PH: (780) 437-3615
FX: (780) 437-3616

www.westernpressure.com