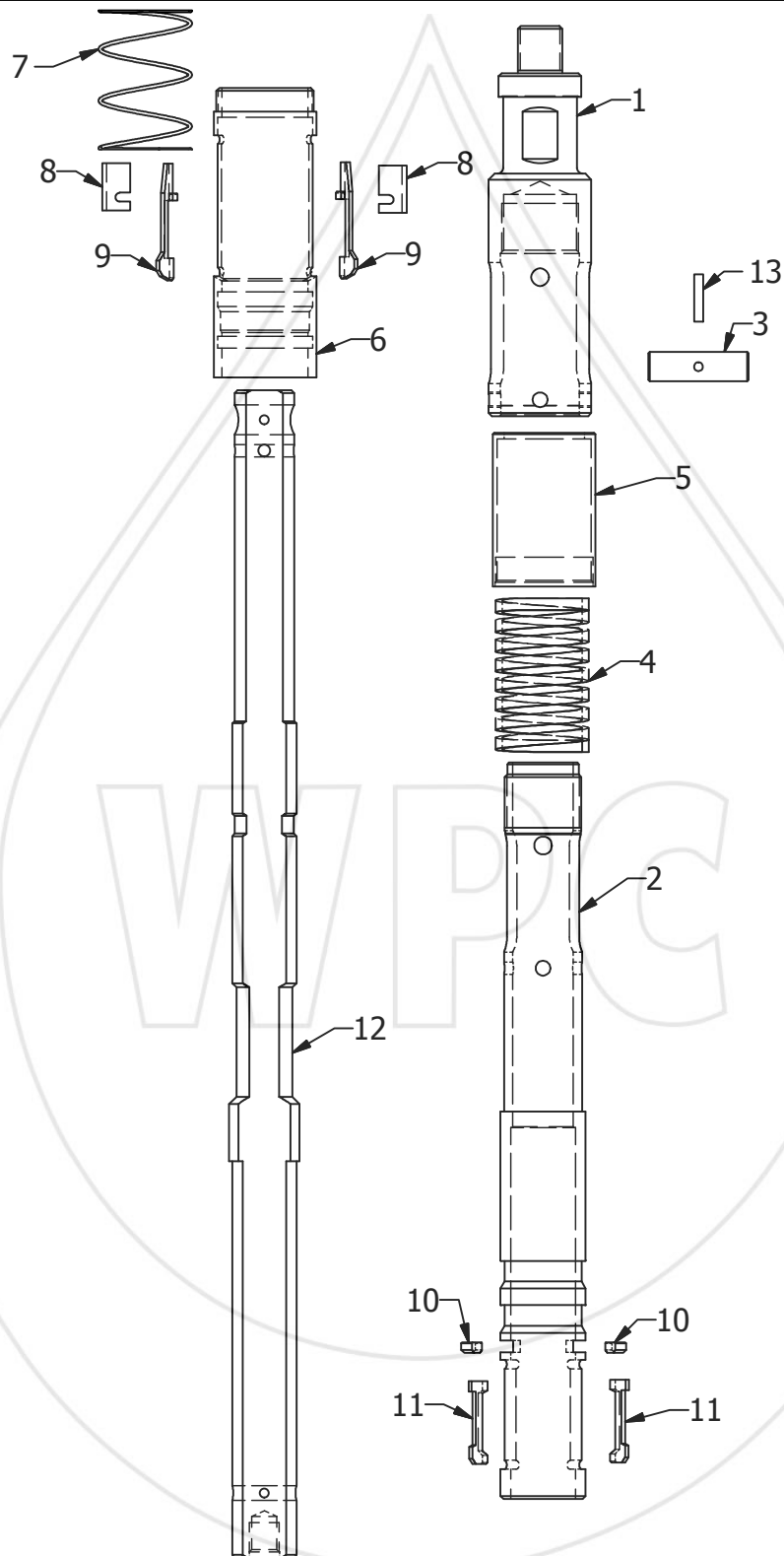


WESTERN PRESSURE CONTROLS 2005 LTD.



TOOL

X AND R-LINE RUNNING TOOL



**WESTERN PRESSURE
CONTROLS 2005 LTD.**
10021-56TH AVENUE
EDMONTON, AB, CA
PH: (780) 437-3615
FX: (780) 437-3616

www.westernpressure.com

WESTERN PRESSURE CONTROLS 2005 LTD.

#	PART NAME	1.500"	1.625"	1.875"	2.313"
	ASSEMBLY	R1.500XR00	R1.625XR00	R1.875XR00	R2.313XR00
1	TOP SUB	R1.500XR01A	R1.500XR01A	R1.875XR01A	R2.313XR01A
2	MANDREL	R1.500XR01B	R1.500XR01B	R1.875XR01B	R2.313XR01B
3	CORE RETAINER PIN	R1.500XR02	R1.500XR02	R1.875XR02	R2.313XR02
4	CORE SPRING	R1.500XR03	R1.500XR03	R1.875XR03	R2.313XR03
5	SPRING HOUSING	R1.500XR04	R1.500XR04	R1.875XR04	R2.313XR04
6	DOG RETAINER	R1.500XR05	R1.625XR05	R1.875XR05	R2.313XR05
7	DOG SPRING	R1.500XR06	R1.500XR06	R1.875XR06	R2.313XR06
8	SPLIT RING	R1.500XR07	R1.500XR07	R1.875XR07	R2.313XR07
9	LOCATOR DOG	R1.500XR08	R1.625XR08	R1.875XR08	R2.313XR08
10	LUG SEGMENTS	R1.500XR09	R1.500XR09	R1.875XR09	R2.313XR09
11	RETAINER DOG	R1.500XR10	R1.500XR10	R1.875XR10	R2.313XR10
12	CORE	R1.500XR11	R1.500XR11	R1.875XR11	R2.313XR11
13	ROLL PIN	1/8"	1/8"	3/16"	3/16"

#	2.750"	2.813"
	R2.750XR00	R2.813XR00
1	R3.500XR01A	R3.500XR01A
2	R3.500XR01B	R3.500XR01B
3	R3.500XR02	R3.500XR02
4	R3.500XR03	R3.500XR03
5	R3.500XR04	R3.500XR04
6	R3.500XR05	R3.500XR05
7	R3.500XR06	R3.500XR06
8	R3.500XR07	R3.500XR06
9	R3.500XR2.75	R3.500XR2.81
10	R3.500XR09	R3.500XR09
11	R3.500XR10	R3.500XR10
12	R3.500XR11	R3.500XR11
13	1/4"	1/4"

PURPOSE:

A service tool used to run and set X and XN locking mandrels.

TOOL

X-LINE RUNNING TOOL



**WESTERN PRESSURE
CONTROLS 2005 LTD.**
10021-56TH AVENUE
EDMONTON, AB, CA
PH: (780) 437-3615
FX: (780) 437-3616

www.westernpressure.com