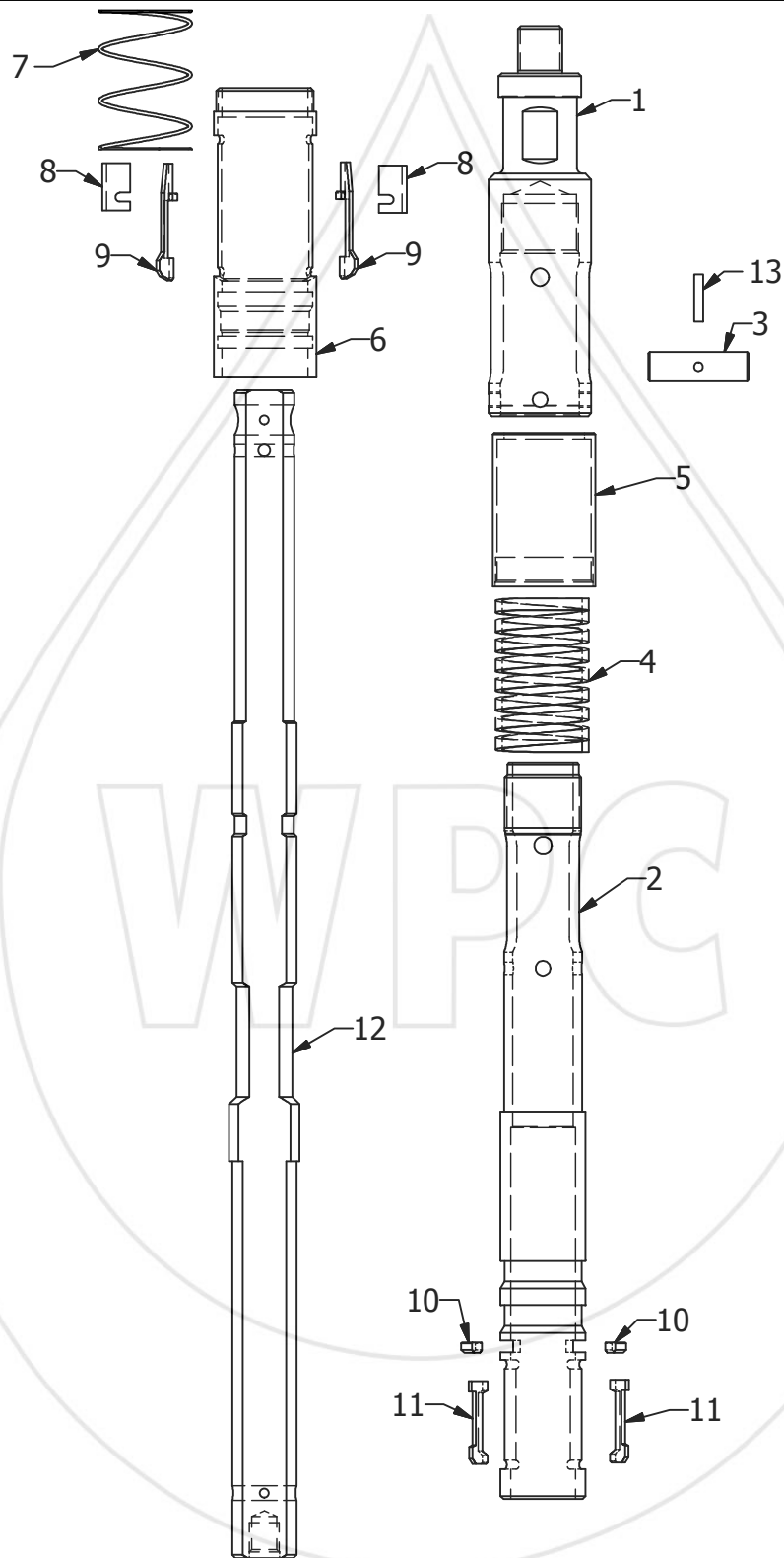


WESTERN PRESSURE CONTROLS 2005 LTD.



TOOL

X AND R-LINE RUNNING TOOL



**WESTERN PRESSURE
CONTROLS 2005 LTD.**
10021-56TH AVENUE
EDMONTON, AB, CA
PH: (780) 437-3615
FX: (780) 437-3616

www.westernpressure.com

WESTERN PRESSURE CONTROLS 2005 LTD.

#	PART NAME	1.781"	1.875"	2.000"	2.125"
	ASSEMBLY	R1.781RR0	R1.875RR00	R2.000RR00	R2.125RR00
1	TOP SUB	R1.875XR01A	R1.875XR01A	R1.875XR01A	R1.875XR01A
2	MANDREL	R1.875XR01B	R1.875XR01B	R1.875XR01B	R1.875XR01B
3	CORE RETAINER PIN	R1.875XR02	R1.875XR02	R1.875XR02	R1.875XR02
4	CORE SPRING	R1.875XR03	R1.875XR03	R1.875XR03	R1.875XR03
5	SPRING HOUSING	R1.875XR04	R1.875XR04	R1.875XR04	R1.875XR04
6	DOG RETAINER	R1.781RR05	R1.875RR05	R2.000RR05	R2.125RR05
7	DOG SPRING	R1.875XR06	R1.875XR06	R1.875XR06	R1.875XR06
8	SPLIT RING	R1.875XR07	R1.875XR07	R1.875XR07	R1.875XR07
9	LOCATOR DOG	R1.781RR08	R1.875RR08	R2.000RR08	R2.125RR08
10	LUG SEGMENT	R1.875XR09	R1.875XR09	R1.875XR09	R1.875XR09
11	RETAINER DOGS	R1.875XR10	R1.875XR10	R1.875XR10	R1.875XR10
12	CORE	R1.781RR11	R1.781RR11	R1.781RR11	R1.781RR11
13	ROLL PIN	3/16"	3/16"	3/16"	3/16"

#	2.188"	2.313"	2.562"	3.688"
	R2.188RR00	R2.313RR00	R2.562RR00	R3.688RR00
1	R2.313XR01A	R2.313XR01A	R2.313XR01A	R3.688RR01A
2	R2.313XR01B	R2.313XR01B	R2.313XR01B	R3.688RR01B
3	R2.313XR02	R2.313XR02	R2.313XR02	R3.688RR02
4	R2.313XR03	R2.313XR03	R2.313XR03	R3.688RR03
5	R2.313XR04	R2.313XR04	R2.313XR04	R3.688RR04
6	R2.188RR05	R2.313XR05	R2.562RR05	R3.688RR05
7	R2.313XR06	R2.313XR06	R2.313XR06	R3.688RR06
8	R2.313XR07	R2.313XR07	R2.313XR07	R3.688RR07
9	R2.188RR08	R2.313XR08	R2.562RR08	R3.688RR08
10	R2.313XR09	R2.313XR09	R2.313XR09	R3.688RR09
11	R2.313XR10	R2.313XR10	R2.313XR10	R3.688RR10
12	R2.188RR11	R2.188RR11	R2.313XR11	R3.688RR11
13	3/16"	3/16"	3/16"	3/8"

PURPOSE:

A service tool used to run and set R and RN locking mandrels.

TOOL

R-LINE RUNNING TOOL



**WESTERN PRESSURE
CONTROLS 2005 LTD.**
10021-56TH AVENUE
EDMONTON, AB, CA
PH: (780) 437-3615
FX: (780) 437-3616

www.westernpressure.com