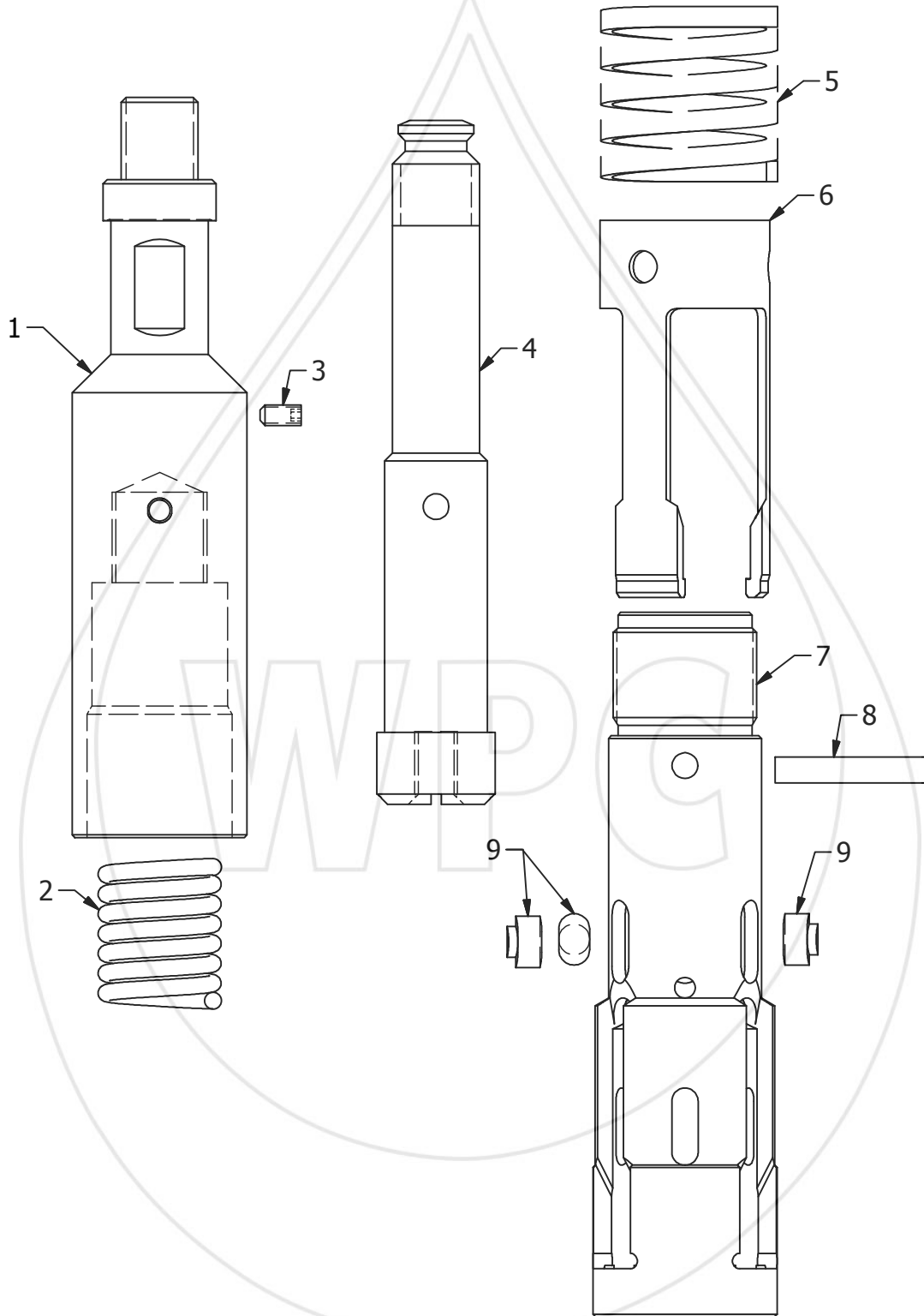


WESTERN PRESSURE CONTROLS 2005 LTD.



TOOL

JU-PULLING TOOL



**WESTERN PRESSURE
CONTROLS 2005 LTD.**
10021-56TH AVENUE
EDMONTON, AB, CA
PH: (780) 437-3615
FX: (780) 437-3616

www.westernpressure.com

WESTERN PRESSURE CONTROLS 2005 LTD.

#	PART NAME	1.250"	1.375"	1.500"
	ASSEMBLY	P1.250JU00	P1.375JU00	P1.500JU00
1	FISHNECK	P1.250JU01	P1.250JU01	P1.500JU01
2	CORE SPRING	P1.250JD03	P1.250JD03	P1.500JD03
3	SET SCREW	--	--	1/4-20UN
4	S-CORE	P1.250JS11	P1.250JS11	P1.500JS10
4	C-CORE	P1.250JC10	P1.250JC10	P1.500JC09
5	DOG SPRING	P1.250JD04	P1.375JD04	P1.500JD04
6	DOG	P1.250JD09	P1.375JD09	P1.500JD08
7	SKIRT	P1.250JD08	P1.375JD08	P1.500JD11
7	OVERSIZED SKIRT	--	--	P1.500JD07 (1.625" TOOL)
8	SHEAR PIN	3/16	3/16	3/16
9	PAWLS	P1.250JD07	P1.375JD07	P1.375JD07
10	SHEAR COLLAR (NOT SHOWN)	P1.250JD05	P1.250JD05	--
11	SHEAR PIN COVER (NOT SHOWN)	P1.250JD06	P1.250JD06	--

#	2.000"	2.500"	3.000"
	P2.000JU00	P2.500JU00	P3.000JU00
1	P2.000JU01	P2.500JU01	P3.000JU01
2	P2.000JD03	P2.500JD03	P3.000JD03
3	1/4-20UN	3/8-16UN	7/16-14UN
4	P2.000JS09	P2.500JS09	P3.000JS09
4	P2.000JC08	P2.500JC08	P3.000JC08
5	P2.000JD04	P2.500JD04	P3.000JD04
6	P2.000JD07	P2.500JD07	P3.000JD07
7	P2.000JD06	P2.500JD06	P3.000JD06
8	5/16	5/16	3/8
9	P2.000JD05	P2.000JD05	P2.000JD05

PURPOSE:

A jar up pulling tool used to either set or retrieve pulling necks.

TOOL

JU-PULLING TOOL



**WESTERN PRESSURE
CONTROLS 2005 LTD.**
10021-56TH AVENUE
EDMONTON, AB, CA
PH: (780) 437-3615
FX: (780) 437-3616

www.westernpressure.com