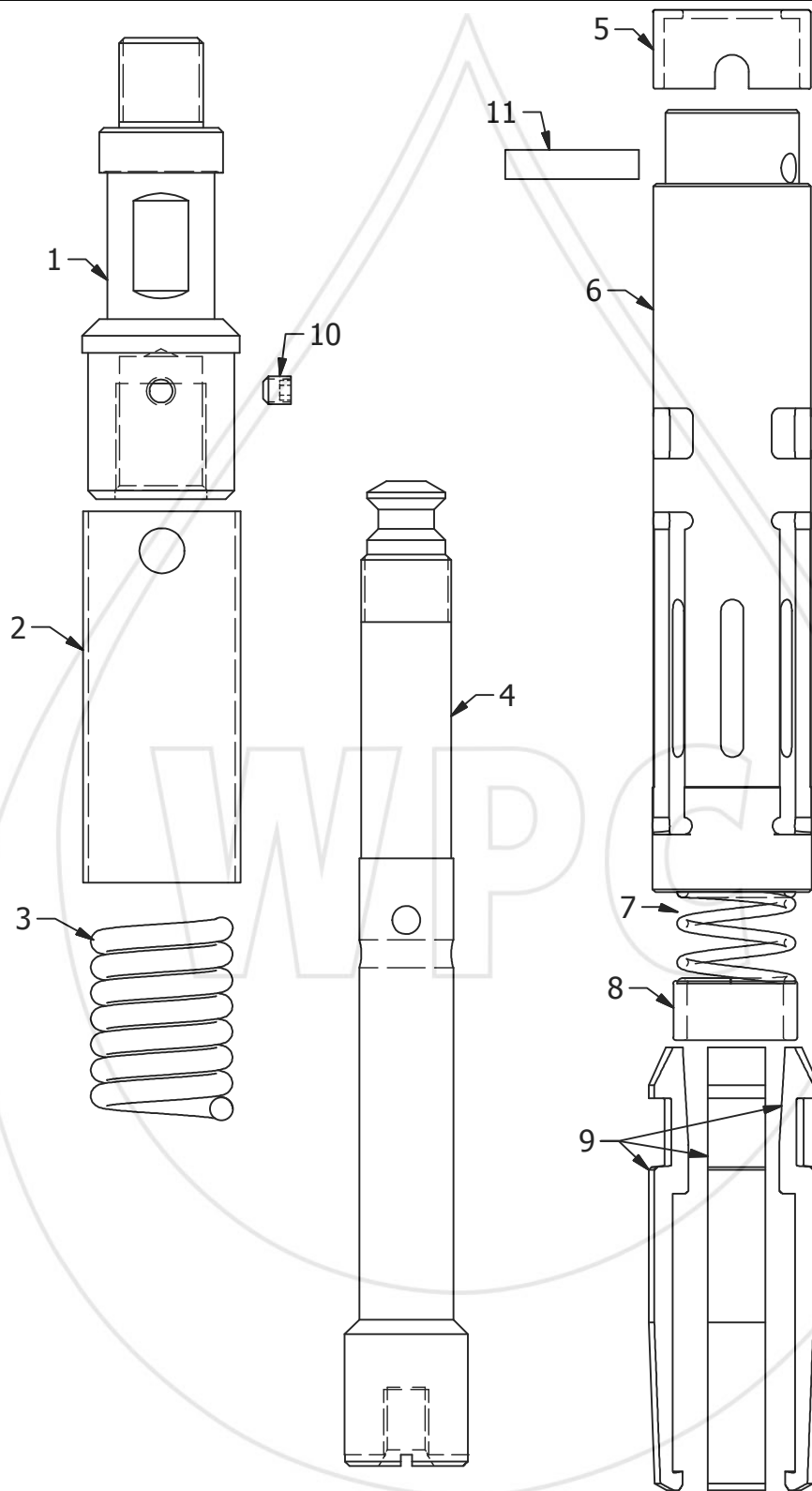


WESTERN PRESSURE CONTROLS 2005 LTD.



TOOL

R-PULLING TOOL



**WESTERN PRESSURE
CONTROLS 2005 LTD.**
10021-56TH AVENUE
EDMONTON, AB, CA
PH: (780) 437-3615
FX: (780) 437-3616

www.westernpressure.com

WESTERN PRESSURE CONTROLS 2005 LTD.

#	PART NAME	0.688"	0.750"	1.125"	1.187"	1.500"
	ASSEMBLY	P0.688RS00	P0.750R00	P1.125R00	P1.187RS00	P1.500R00
1	TOP SUB	P0.688RS01	P0.750R01	P1.125R01	P1.187RS01	P1.500R01
2	SPRING SLEEVE	P0.688RS09	--	--	--	--
3	CORE SPRING	P0.688RS08	P0.750R08	P1.125R08	P1.187RS08	P1.500R08
4	B-CORE	--	P0.750RB02	P1.125RB02	--	P1.500RB02
4	S-CORE	P0.688RS02	--	P1.125RS02	P1.187RS02	P1.500RS02
4	J-CORE	--	--	P1.125RJ02	--	P1.500RJ02
5	SHEAR PIN COVER	P0.688RS06	P0.750R06	P1.125R06	P1.187RS06	P1.500R06
6	SKIRT	P0.688RS04	P0.750R04	P1.125R04	P1.187RS04	P1.500R04
7	DOG SPRING	P0.688RS07	P0.750R07	P1.125R07	P1.187RS07	P1.500R07
8	DOG WASHER	P0.688RS05	P0.750R05	P1.125R05	P1.187RS05	P1.500R05
9	DOG	P0.688RS03	P0.750R03	P1.125R03	P1.187RS03	P1.500R03
10	SET SCREW	1/4-20UN	1/4-20UN	1/4-20UN	1/4-20UN	5/16-18UN
11	SHEAR PIN	5/32	1/8	3/16	3/16	1/4

#	2.000"	2.500"	3.000"
	P2.000R00	P2.500R00	P3.000R00
1	P2.000R01	P2.500R01	P3.000R01
2	P2.000R07	P2.500R07	P3.000R07
3	P2.000R09	P2.500R09	P3.000R09
4	P2.000RB02	P2.000RB02	P3.000RB02
4	P2.000RS02	P2.500RS02	P3.000RS02
4	P2.000RJ02	P2.500RJ02	P3.000RJ02
5	P2.000R06	P2.500R06	P3.000R06
6	P2.000R04	P2.500R04	P3.000R04
7	P2.000R08	P2.500R08	P3.000R08
8	P2.000R05	P2.500R05	P3.000R05
9	P2.000R03	P2.500R03	P3.000R03
10	5/16-18UN	5/16-18UN	7/16-14UN
11	5/16	5/16	3/8

PURPOSE:

A jar up pulling tool used to either set or retrieve pulling necks.

TOOL

R-PULLING TOOL



**WESTERN PRESSURE
CONTROLS 2005 LTD.**
10021-56TH AVENUE
EDMONTON, AB, CA
PH: (780) 437-3615
FX: (780) 437-3616

www.westernpressure.com