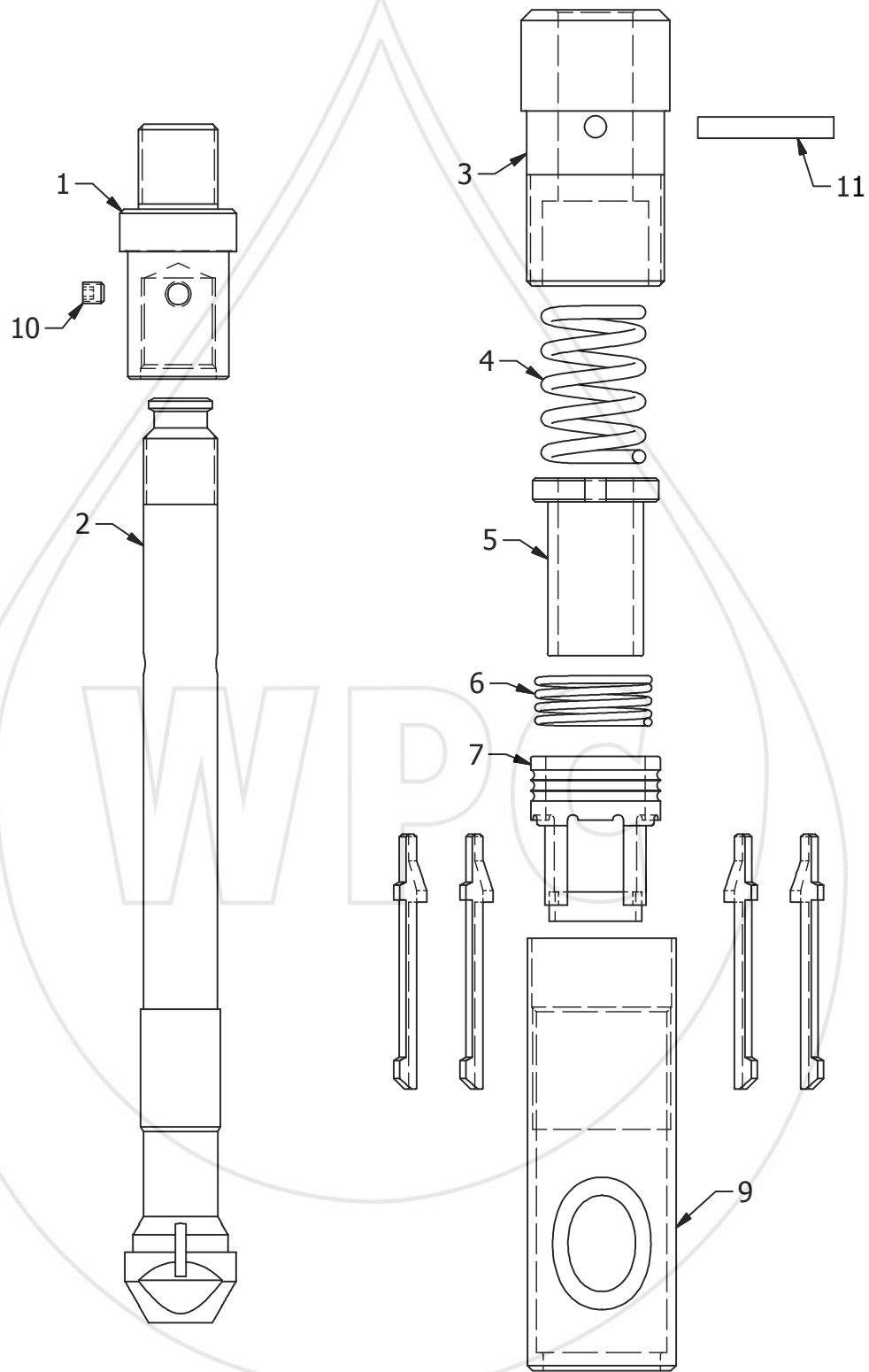


# WESTERN PRESSURE CONTROLS 2005 LTD.



TOOL

## GS-PULLING TOOL



**WESTERN PRESSURE  
CONTROLS 2005 LTD.**  
10021-56TH AVENUE  
EDMONTON, AB, CA  
PH: (780) 437-3615  
FX: (780) 437-3616

[www.westernpressure.com](http://www.westernpressure.com)

# WESTERN PRESSURE CONTROLS 2005 LTD.

#	PART NAME	1.500"	2.000"	2.500"	3.000"
	ASSEMBLY	P1.500GS00	P2.000GS00	P2.500GS00	P3.000GS00
1	TOP SUB	P1.500GS01	P2.000GS01	P2.500GS01	P3.000GS01
2	CORE	P1.500GS02	P2.000GS02	P2.500GS02	P3.000GS02
3	SHEAR SUB	P1.500GS03	P2.000GS03	P2.500GS03	P3.000GS03
4	CORE SPRING	P1.500GS04	P2.000GS04	P2.500GS04	P3.000GS04
5	SPRING RETAINER	P1.500GS05	P2.000GS05	P2.500GS05	P3.000GS05
6	DOG SPRING	P1.500GS06	P2.000GS06	P2.500GS06	P3.000GS06
7	DOG RETAINER	P1.500GS07	P2.000GS07	P2.500GS07	P3.000GS07
8	DOGS	P1.500GS09	P2.000GS09	P2.500GS09	P3.000GS09
8	OVERSIZED DOGS (NOT SHOWN)	P1.500GS10	P2.000GS10	P2.500GS10	P3.000GS10
9	WINDOW HOUSING	P1.500GS08	P2.000GS08	P2.500GS08	P3.000GS08
10	SET SCREW	1/4-20UN	1/4-20UN	1/4-20UN	1/4-20UN
11	SHEAR PIN	3/16"	1/4"	1/4"	1/4"

**PURPOSE:**

To set and retrieve tools with an internal fishneck.

TOOL

**GS-PULLING TOOL**



**WESTERN PRESSURE  
CONTROLS 2005 LTD.**  
10021-56TH AVENUE  
EDMONTON, AB, CA  
PH: (780) 437-3615  
FX: (780) 437-3616

[www.westernpressure.com](http://www.westernpressure.com)