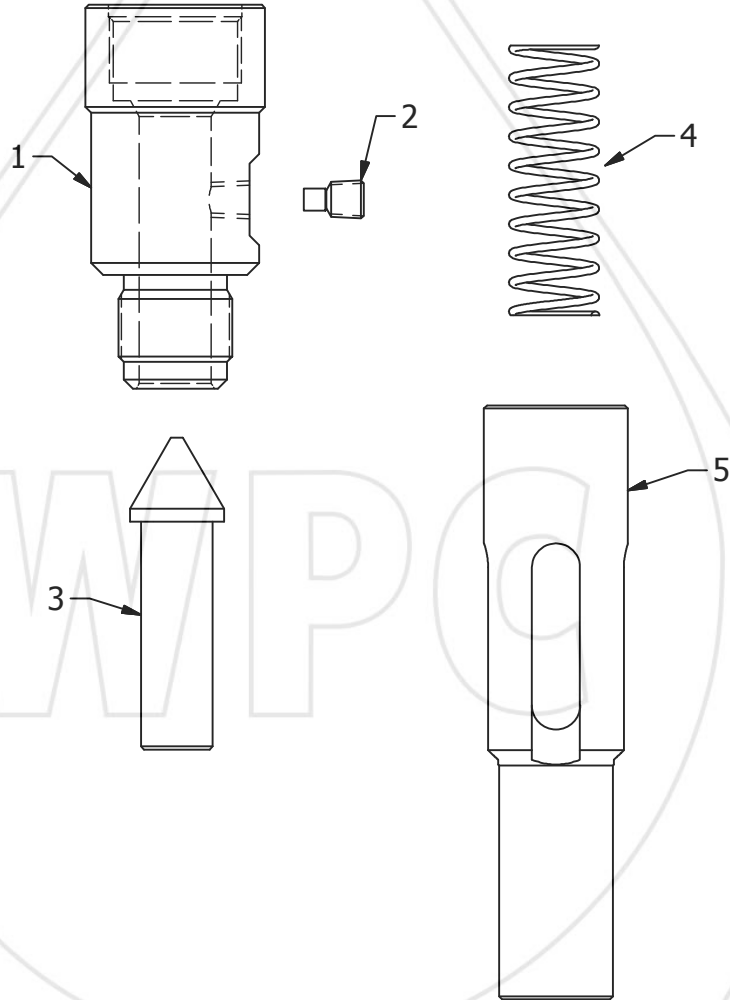


# WESTERN PRESSURE CONTROLS 2005 LTD.



TOOL

## OTIS STYLE T-CHOKE ASSEMBLY WITH OPTIONAL KOBES PLUG



**WESTERN PRESSURE  
CONTROLS 2005 LTD.**  
10021-56TH AVENUE  
EDMONTON, AB, CA  
PH: (780) 437-3615  
FX: (780) 437-3616

[www.westernpressure.com](http://www.westernpressure.com)

# WESTERN PRESSURE CONTROLS 2005 LTD.

#	PART NAME	1.500"	1.875"	2.313"	2.750	2.813
	ASSEMBLY	OE1.500TK00	OE2.375TK00	OE2.875TK00	OE2.750TK00	OE2.813TK00
1	CROSSOVER SUB (WITH KOBES)	OE1.500AKE02	OE2.375AKE02	OE2.875AKE02	OE2.750AKE02	OE2.813AKE02
1	CROSSOVER SUB (WITHOUT KOBES)	OE1.500AKE01	OE2.375AKE01	OE2.875AKE01	OE2.750AKE01	OE2.813AKE01
2	KOBES PLUG	E0.125KP00	E0.125KP00	E0.125KP00	E0.125KP00	E0.125KP00
3	T-CHOKE BEAN	OE1.500TK04	OE2.375TK04	OE2.875TK04	OE3.500TK04	OE3.500TK04
4	SPRING	OE1.500TKE03	OE2.375TKE03	OE2.875TKE03	OE3.500TKE03	OE3.500TKE03
5	BEAN CAGE	OE1.500TK05	OE2.375TK03	OE2.875TK03	OE3.500TK03	OE3.500TK03

## PURPOSE:

Used in conjunction with any number of lock assemblies.  
Allows operator to pump down Tubing and maintain  
plug pressure control from bottom.  
Pressure can be equalized by knocking out kobes plug.

## SPECIFICATION:

Kobes plug is optional.  
More information available upon request.

TOOL

**OTIS STYLE T-CHOKE ASSEMBLY  
WITH OPTIONAL KOBES PLUG**



**WESTERN PRESSURE  
CONTROLS 2005 LTD.**  
10021-56TH AVENUE  
EDMONTON, AB, CA  
PH: (780) 437-3615  
FX: (780) 437-3616

[www.westernpressure.com](http://www.westernpressure.com)