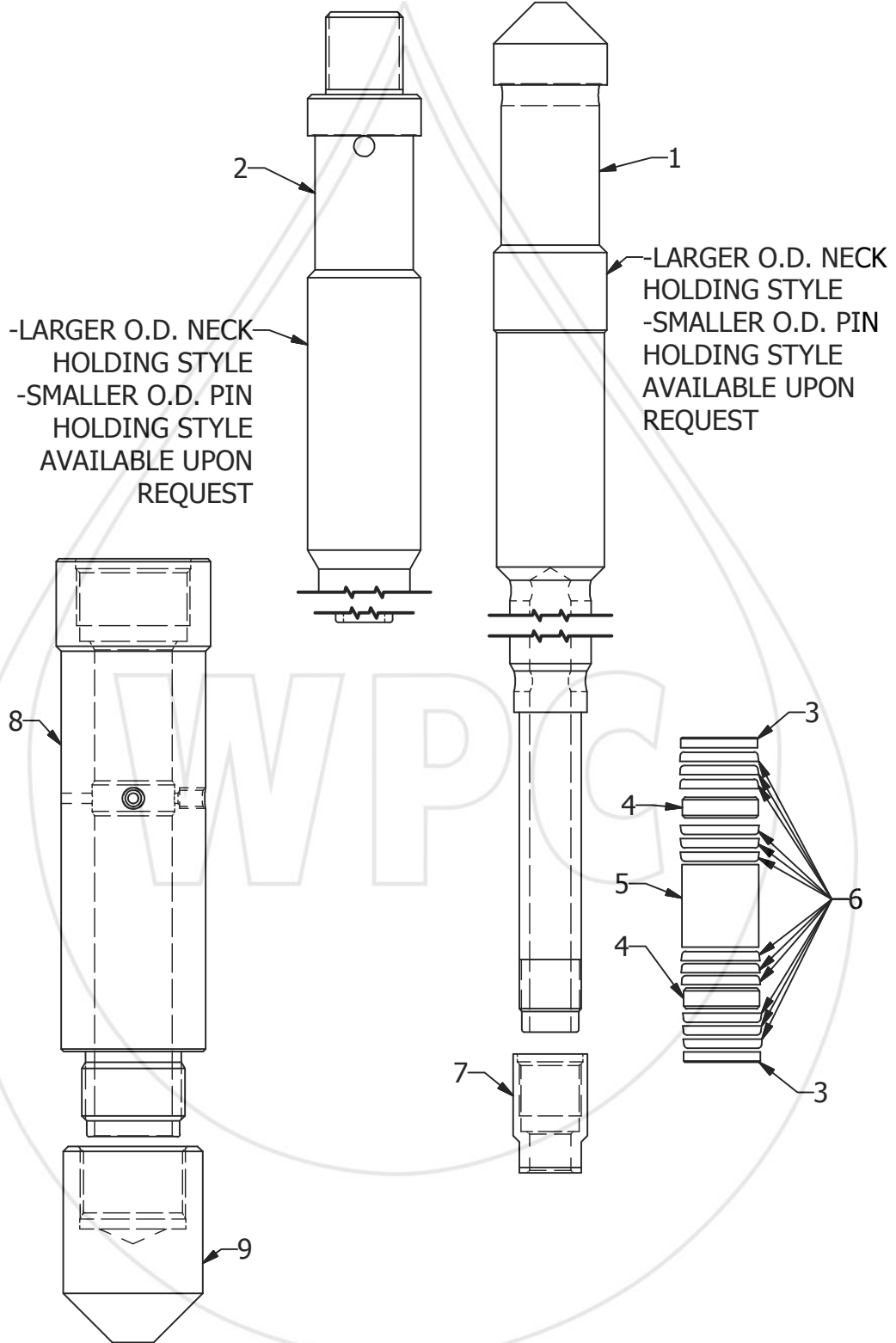


WESTERN PRESSURE CONTROLS 2005 LTD.



TOOL

P-EQUALIZING ASSEMBLY 2 PIECE HOUSING



**WESTERN PRESSURE
CONTROLS 2005 LTD.**
10021-56TH AVENUE
EDMONTON, AB, CA
PH: (780) 437-3615
FX: (780) 437-3616

www.westernpressure.com

WESTERN PRESSURE CONTROLS 2005 LTD.

#	PART NAME	1.625"	1.875"	2.313"	2.750"	2.813"
	ASSEMBLY	OE1.625P200	OE1.875P200	OE2.313P200	OE2.750P200	OE2.813P200
1	STANDARD PRONG	OE1.625P11	OE1.875P11	OE2.313P11	OE2.750P11	OE2.750P11
2	EXTENDABLE PRONG	OE1.625P24	OE1.875P24	OE2.313P24	OE2.750P24	OE2.750P24
3	FEMALE BACK-UP RING	OE1.625P12	OE1.875P12	OE2.313P12	OE2.750P12	OE2.750P12
4	MALE BACK-UP RING	OE1.625P13	OE1.8.75P13	OE2.313P13	OE2.750P13	OE2.750P13
5	DOUBLE FEMALE BACK-UP RING	OE1.625P14	OE1..875P14	OE2.313P14	OE2.750P14	OE2.750P14
6	PACKING	OVP91V4792MG	OVP91V3308NK	OVP91V345NK	OVP91V347NK	OVP91V347NK
7	PACKING NUT	OE1.625P15	OE1.875P15	OE2.313P15	OE2.750P15	OE2.750P15
8	2-PIECE P-HOUSING	OE1.625P21	OE1.875P21	OE2.313P21	OE2.750P21	OE2.813P21
9	END CAP	OE1.625P22	OE1.875P22	OE2.313P22	OE2.750P22	OE2.750P22

WPC

PURPOSE:

To hold pressure differentials from above or below by attaching to a X or XN locking mandrel assembly

SPECIFICATIONS:

Assembles with corresponding size of lock

Parts 1 and 2 are interchangeable.

1.625" prong comes standard with Molyglass Teflon packing.

All other assemblies come standard with Nitril Kevlar.

TOOL

**P-EQUALIZING ASSEMBLY
2 PIECE HOUSING**



WESTERN PRESSURE CONTROLS 2005 LTD.
10021-56TH AVENUE
EDMONTON, AB, CA
PH: (780) 437-3615
FX: (780) 437-3616

www.westernpressure.com