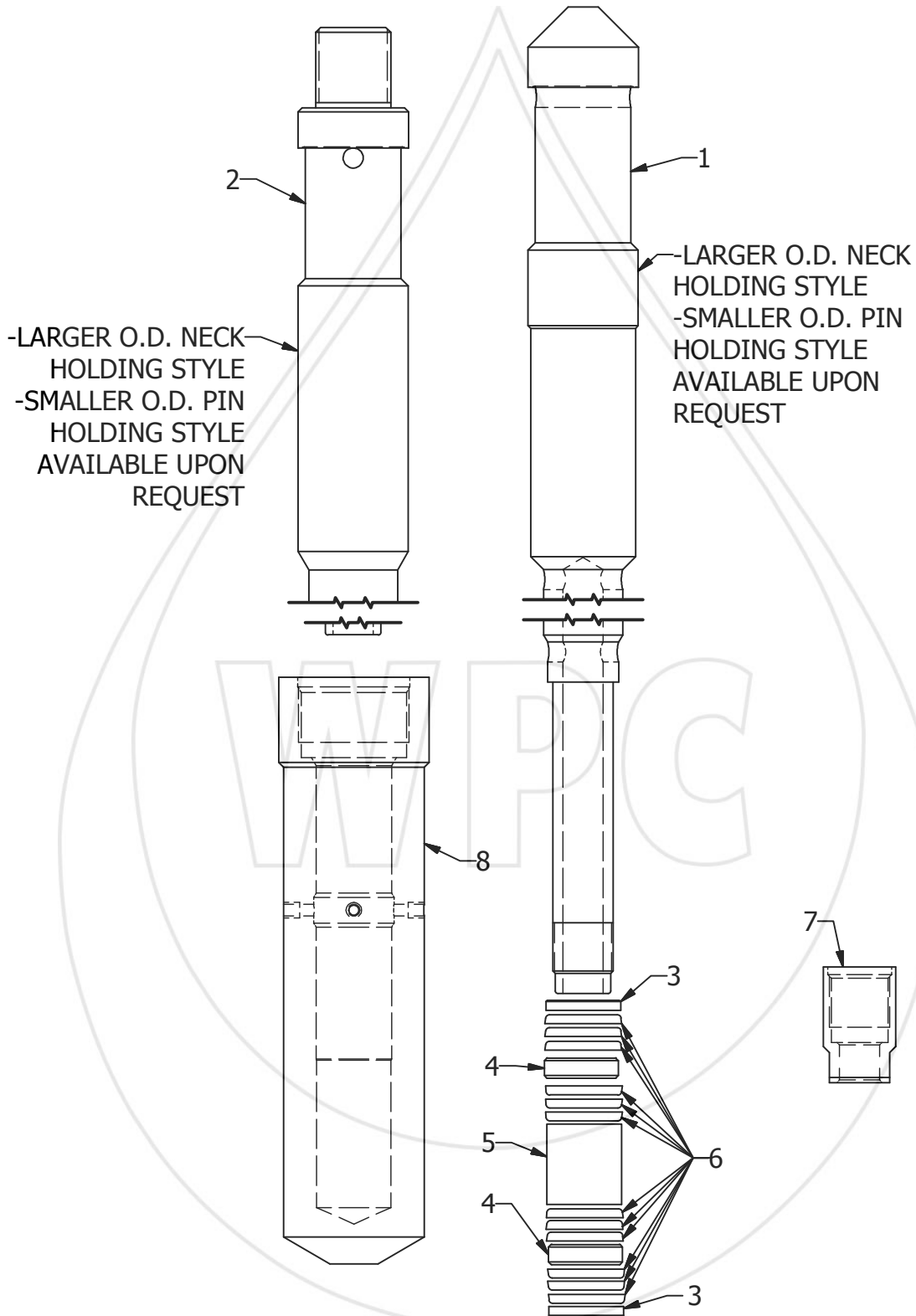


WESTERN PRESSURE CONTROLS 2005 LTD.



TOOL

P-EQUALIZING ASSEMBLY 1 PIECE HOUSING



**WESTERN PRESSURE
CONTROLS 2005 LTD.**
10021-56TH AVENUE
EDMONTON, AB, CA
PH: (780) 437-3615
FX: (780) 437-3616

www.westernpressure.com

WESTERN PRESSURE CONTROLS 2005 LTD.

#	PART NAME	1.625"	1.875"	2.313"	2.750"	2.813"
	ASSEMBLY	OE1.625P100	OE1.875P100	OE2.313P100	OE2.750P100	OE2.813P100
1	STANDARD PRONG	OE1.625P11	OE1.875P11	OE2.313P11	OE2.750P11	OE2.750P11
2	EXTENDABLE PRONG	OE1.625P24	OE1.875P24	OE2.313P24	OE2.750P24	OE2.750P24
3	FEMALE BACK-UP RING	OE1.625P12	OE1.875P12	OE2.313P12	OE2.750P12	OE2.750P12
4	MALE BACK-UP RING	OE1.625P13	OE1.875P13	OE2.313P13	OE2.750P13	OE2.750P13
5	DOUBLE FEMALE BACK-UP RING	OE1.625P14	OE1.875P14	OE2.313P14	OE2.750P14	OE2.750P14
6	PACKING	OVP91V4792MG	OVP91V3308NK	OVP91V345NK	OVP91V347NK	OVP91V347NK
7	PACKING NUT	OE1.625P15	OE1.875P15	OE2.313P15	OE2.750P15	OE2.750P15
8	P-HOUSING	OE1.625P30	OE1.875P30	OE2.313P30	OE2.750P30	OE2.813P30

PURPOSE:

To hold pressure differentials from above or below by attaching to a X or XN locking mandrel assembly

SPECIFICATIONS:

Assembles with corresponding size of lock
 1.625" prong only has Molyglass teflon packing.
 All other sizes come standard with Nitrile Kevlar,
 other materials available upon request.
 Parts 1 and 2 are interchangeable.

TOOL

**P-EQUALIZING ASSEMBLY
 1 PIECE HOUSING**



**WESTERN PRESSURE
 CONTROLS 2005 LTD.**
 10021-56TH AVENUE
 EDMONTON, AB, CA
 PH: (780) 437-3615
 FX: (780) 437-3616

www.westernpressure.com