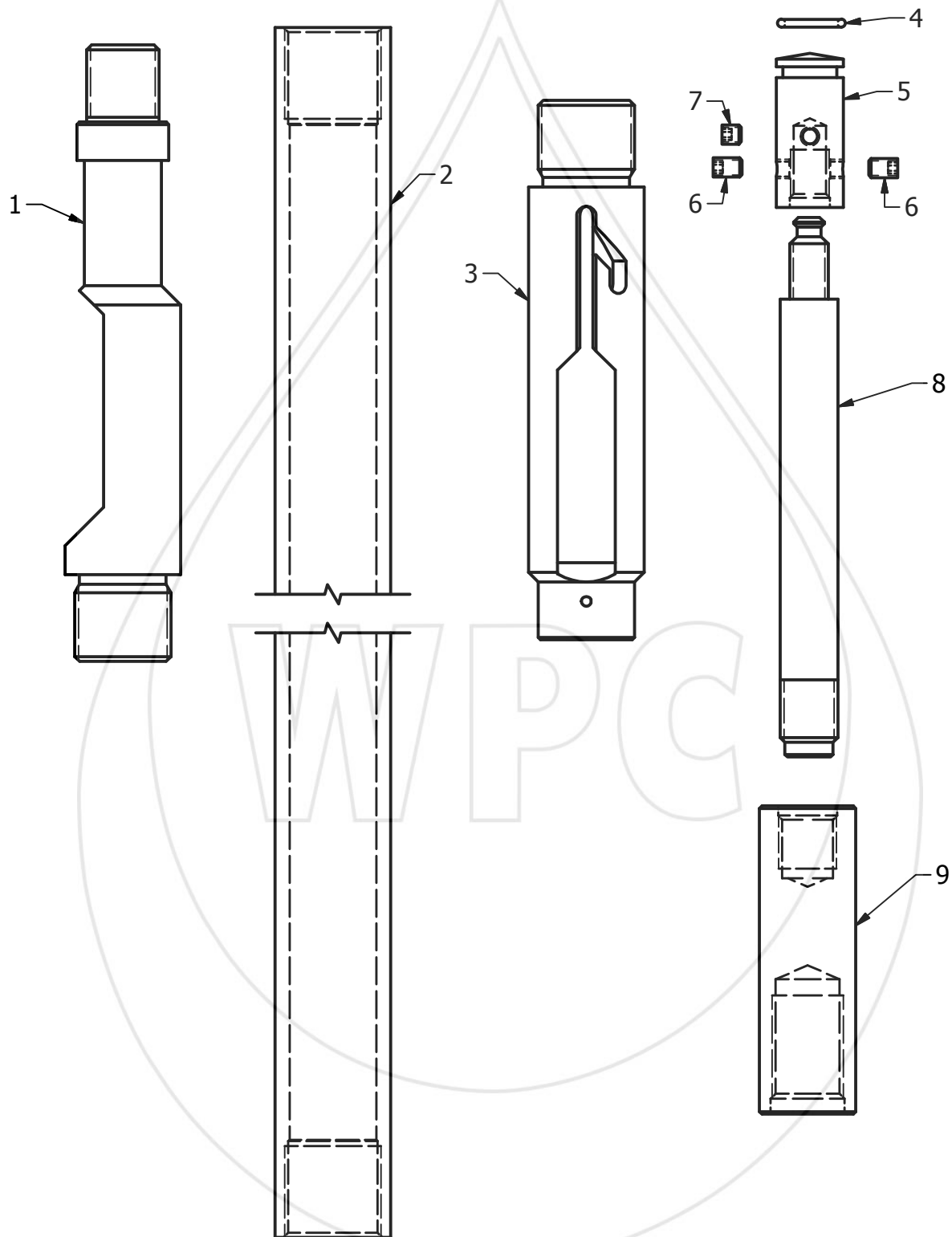


WESTERN PRESSURE CONTROLS 2005 LTD.



TOOL

W.P.C. J-SLOT
DUMP BAILER



**WESTERN PRESSURE
CONTROLS 2005 LTD.**
10021-56TH AVENUE
EDMONTON, AB, CA
PH: (780) 437-3615
FX: (780) 437-3616

www.westernpressure.com

WESTERN PRESSURE CONTROLS 2005 LTD.

#	NAME	1.500	1.750	2.125	3.250
	ASSEMBLY	K1.500DBJ00	K1.750DBJ00	K2.125DBJ00	K3.250DBJ00
1	TOP SUB	K1.500DB01	K1.750DB01	K2.125DB01	K3.250DB01
2	BARREL	K1.500SB10	K1.750SB10	K2.125SB10	K3.250SB10
3	PISTON HOUSING	K1.500DB07	K1.750DB07	K2.125DB07	K3.250DB07C
4	O-RING	115	213	218	331
5	PISTON	K1.500DB08	K1.750DB08	K2.125DB08	K3.250DB08C
6	PISTON SET SCREWS	1/4-20UN x 3/8"	1/4-20UN x 3/8"	1/4-20UN x 3/8"	1/4-20UN x 1/2"
7	SHAFT SET SCREW	1/4-20UN x 1/4"	1/4-20UN x 1/4"	1/4-20UN x 3/8"	5/16-18UN x 1/2"
8	SHAFT	K1.500DB09	K1.750DB10	K1.750DB10	K3.250DB09C
9	BOTTOM SUB	K1.500DB10	K1.750DB11	K1.750DB11	K3.250DB10C
	VOLUME (L/ft)	0.2	0.3	0.47	1.39

WPC

PURPOSE:

To dump fluids down the well
on top of any device or blockage

SPECIFICATIONS:

J-latch does not release fluid till tool is pulled
off of the bottom of the well.

TOOL

**W.P.C. J-SLOT
DUMP BAILER**



**WESTERN PRESSURE
CONTROLS 2005 LTD.**
10021-56TH AVENUE
EDMONTON, AB, CA
PH: (780) 437-3615
FX: (780) 437-3616

www.westernpressure.com