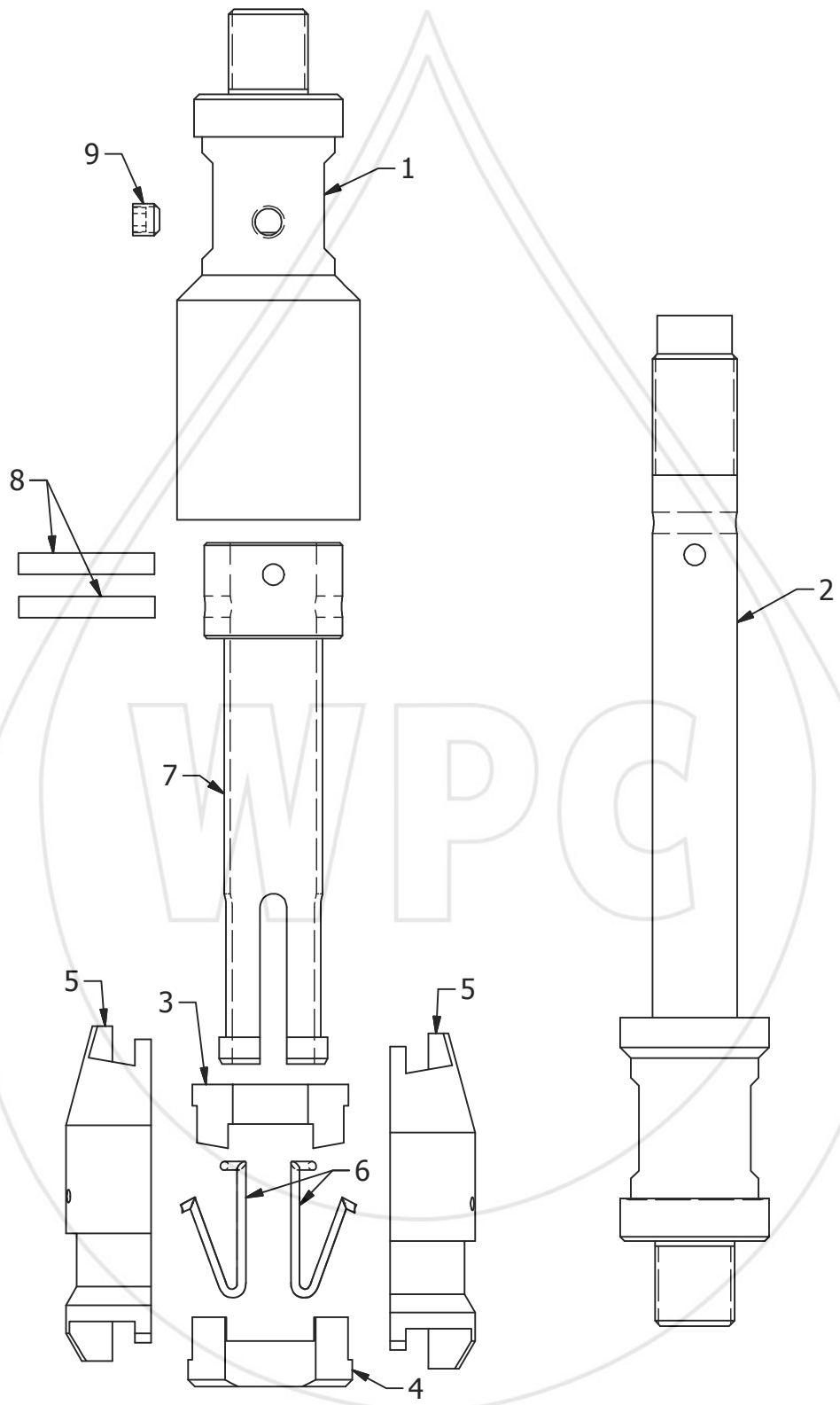
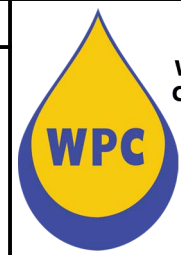


WESTERN PRESSURE CONTROLS 2005 LTD.



TOOL

HD B-SHIFTING TOOL



**WESTERN PRESSURE
CONTROLS 2005 LTD.**
10021-56TH AVENUE
EDMONTON, AB, CA
PH: (780) 437-3615
FX: (780) 437-3616

www.westernpressure.com

WESTERN PRESSURE CONTROLS 2005 LTD.

#	PART NAME	1.875"	2.313"	2.562"	2.750"	2.813"
	ASSEMBLY	J1.875BSHD00	J2.313BSHD00	J2.562BSHD00	J2.750BSHD00	J2.813BSHD00
1	HD TOP SUB	J1.875BSHD01	J2.313BSHD01	J2.562BSHD01	J2.750BSHD01	J2.750BSHD01
2	HD BODY	J1.875BSHD02	J2.313BSHD02	J2.313BSHD02	J2.750BSHD02	J2.750BSHD02
3	UPPER KEY RETAINER	J1.875BS03	J2.313BS03	J2.313BS03	J2.750BS03	J2.750BS03
4	LOWER KEY RETAINER	J1.875BS04	J2.313BS04	J2.313BS04	J2.750BS04	J2.750BS04
5	SLECTIVE KEY	J1.875BS05S	J2.313BS05S	J2.562BS05S	J2.750BS05S	J2.813BS05S
5	POSITIVE KEY	J1.875BS05P	J2.313SB05P	J2.562BS05P	J2.750BS05P	J2.813BS05P
6	KEY SPRING	J1.875BS06	J2.875BS06	J1.875BS06	J1.875BS06	J1.875BS06
7	HD COLLET	J1.875BSHD07	J2.313BSHD07	J2.313BSHD07	J2.750BSHD07	J2.750BSHD07
8	SHEAR PIN	1/4"	1/4"	1/4"	5/16"	5/16"
9	SET SCREW	1/4-20UN	3/8-16UN	3/8-16UN	3/8-16UN	3/8-16UN

PURPOSE:

To open and close sliding sleeves
and to shift tubing release subs.

SPECIFICATIONS:

Dual shear pin acts as no shear ring but
provides freedom to be sheared if necessary.

TOOL

HD B-SHIFTING TOOL



**WESTERN PRESSURE
CONTROLS 2005 LTD.**
10021-56TH AVENUE
EDMONTON, AB, CA
PH: (780) 437-3615
FX: (780) 437-3616

www.westernpressure.com