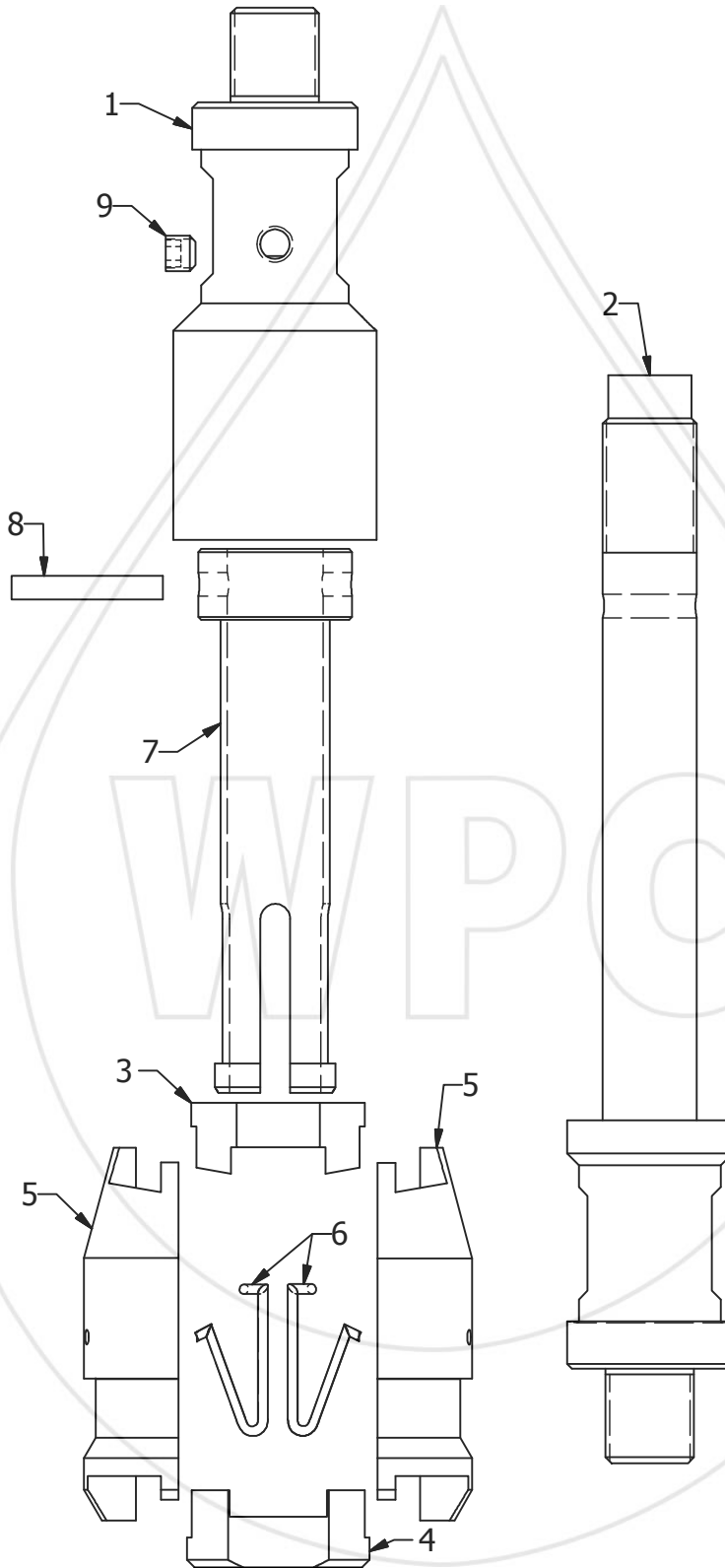


WESTERN PRESSURE CONTROLS 2005 LTD.



TOOL

B-SHIFTING TOOL



**WESTERN PRESSURE
CONTROLS 2005 LTD.**
10021-56TH AVENUE
EDMONTON, AB, CA
PH: (780) 437-3615
FX: (780) 437-3616

www.westernpressure.com

WESTERN PRESSURE CONTROLS 2005 LTD.

#	PART NAME	1.500"	1.625"	1.780"	1.875"	2.125"
	ASSEMBLY	J1.500BS00	J1.625BS00	1.780BS00	J1.875BS00	J2.125BS00
1	TOP SUB	J1.500BS01	J1.625BS01	J1.875BS01	J1.875BS01	J2.125BS01
2	BODY	J1.500BS02	J1.625BS02	J1.875BS02	J1.875BS02	J1.875BS02
3	UPPER KEY RETAINER	J1.500BS03	J1.625BS03	J1.875BS03	J1.875BS03	J2.125BS03
4	LOWER KEY RETAINER	J1.500BS04	J1.625BS04	J1.875BS04	J1.875BS04	J2.125BS04
5	SELECTIVE KEY	J1.500BS05S	J1.625BS05S	J1.875BS05S	J1.875BS05S	J2.125BS05S
5	POSITIVE KEY (NOT SHOWN)	J1.500BS05P	J1.625BS05P	J1.780BS05P	J1.875BS05P	J2.125BS05P
6	KEY SPRING	J1.500BS06	J1.500BS06	J1.875BS06	J1.875BS06	J1.875BS06
7	COLLET	J1.500BS07	J1.500BS07	J1.875BS07	J1.875BS07	J1.875BS07
8	SHEAR PIN	1/4"	1/4"	1/4"	1/4"	1/4"
9	SET SCREW	1/4-20UN	1/4-20UN	5/16-18UN	5/16-18UN	5/16-18UN

#	2.313"	2.562"	2.750"	2.813"
	J2.313BS00	J2.562BS00	J2.750BS00	J2.813BS00
1	J2.313BS01	J2.562BS01	J2.750BS01	J2.750BS01
2	J2.313BS02	J2.313BS02	J2.750BS02	J2.750BS02
3	J2.313BS03	J2.313BS03	J2.750BS03	J2.750BS03
4	J2.313BS04	J2.313BS04	J2.750BS04	J2.750BS04
5	J2.313BS05S	J2.562BS05S	J2.750BS05S	J2.813BS05S
5	J2.313BS05P	J2.562BS05P	J2.750BS05P	J2.813BS05P
6	J1.875BS06	J1.875BS06	J1.875BS06	J1.875BS06
7	J2.313BS07	J2.313BS07	J2.750BS07	J2.750BS07
8	1/4"	1/4"	5/16"	5/16"
9	3/8-16UN	3/8-16UN	3/8-16UN	3/8-16UN

PURPOSE:

To open and close sliding sleeves and to shift tubing release subs.

SPECIFICATIONS:

Also available in heavy duty shear.
(See HD B-shifting tool, next page)

TOOL

B-SHIFTING TOOL



**WESTERN PRESSURE
CONTROLS 2005 LTD.**
10021-56TH AVENUE
EDMONTON, AB, CA
PH: (780) 437-3615
FX: (780) 437-3616

www.westernpressure.com