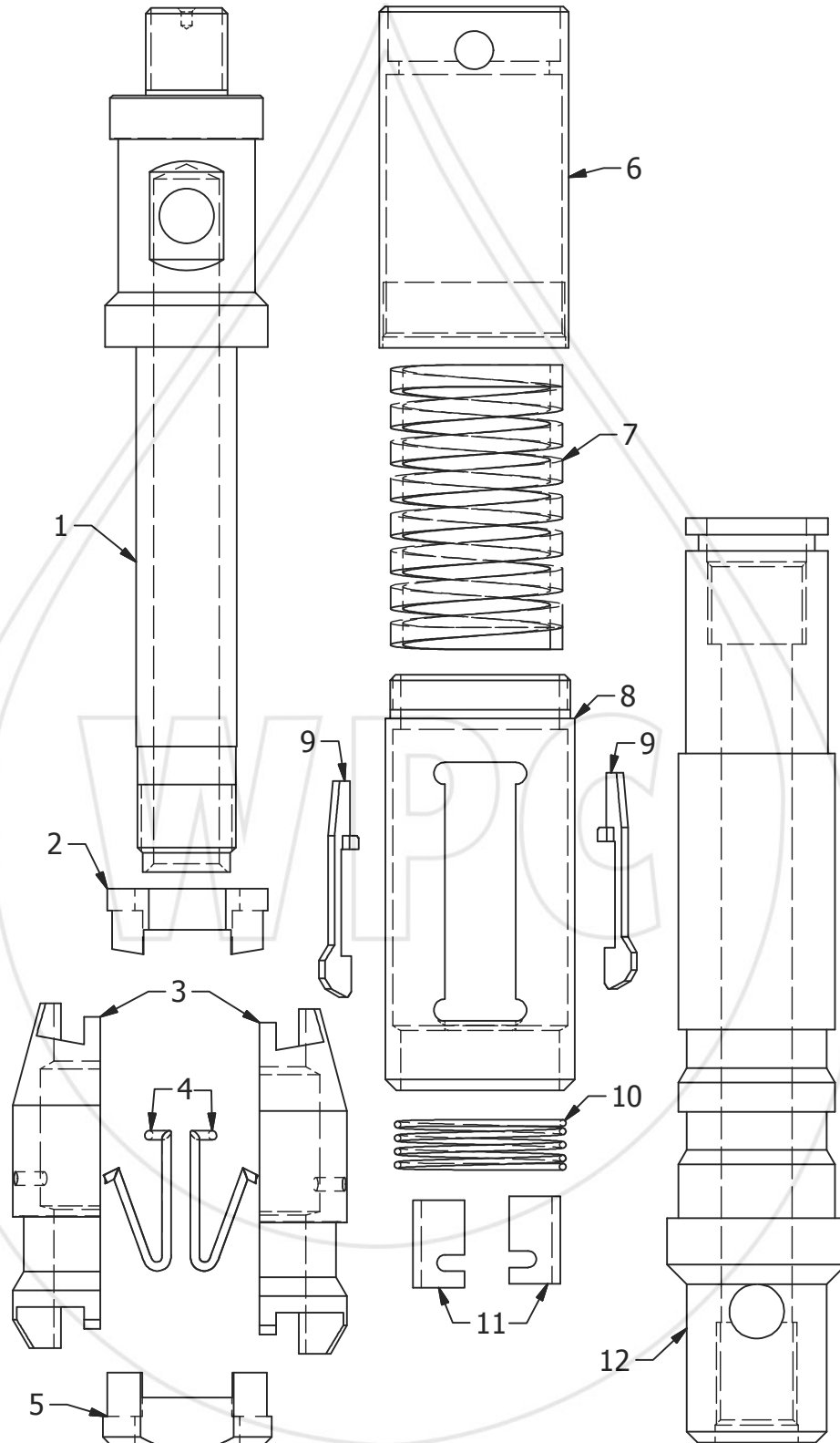


WESTERN PRESSURE CONTROLS 2005 LTD.



TOOL

BO-SHIFTING TOOL



**WESTERN PRESSURE
CONTROLS 2005 LTD.**
10021-56TH AVENUE
EDMONTON, AB, CA
PH: (780) 437-3615
FX: (780) 437-3616

www.westernpressure.com

WESTERN PRESSURE CONTROLS 2005 LTD.

#	PART NAME	1.875"	2.313"	2.750"	2.813"
	ASSEMBLY	J1.875BO00	J2.313BO00	J2.750BO00	J2.873BO00
1	FISHNECK	J1.875BO01	J2.313BO01	J2.750BO01	J2.750BO01
2	UPPER KEY RETAINER	J1.875BO03	J2.313BS03	J2.750BS03	J2.750BS03
3	SELECTIVE KEY	J1.875BS05S	J2.313BS05S	J2.750BS05S	J2.813BS05S
3	POSITIVE KEY (NOT SHOWN)	J1.875BS05P	J2.313BS05P	J2.750BS05P	J2.813BS05P
4	KEY SPRING	J1.875BS06	J1.875BS06	J1.875BS06	J1.875BS06
5	LOWER KEY RETAINER	J1.875BS04	J2.313BS04	J2.750BS04	J2.750BS04
6	SPRING HOUSING	J1.875BO06	J2.313BO06	J2.750BO06	J2.750BO06
7	CORE SPRING	J1.875BO10	J2.313BO10	J2.750BO10	J2.750BO10
8	DOG RETAINER	J1.875BO07	J2.313BO07	J2.750BO07	J2.750BO07
9	DOG	R1.875XR08	R2.313XR08	R3.500XR2.75	R3.500XR2.81
10	DOG SPRING	R1.875XR06	R2.313XR06	R3.500XR06	R3.500XR06
11	SPLIT RING	R1.875XR07	R2.313XR07	R3.500XR07	R3.500XR07
12	LOCATOR MANDREL	J1.875BO12	J2.313BO12	J2.750BO12	J2.750BO12

PURPOSE:

Used to selectively locate and shift sliding sleeve doors in the case there are multiple SSD's in a well bore.

SPECIFICATIONS:

The BO-Shifting Tool is ran into the well bore passed the desired sleeve, then pulled up through the sleeve to engage keys into the shift position.

TOOL

BO-SHIFTING TOOL



**WESTERN PRESSURE
CONTROLS 2005 LTD.**
10021-56TH AVENUE
EDMONTON, AB, CA
PH: (780) 437-3615
FX: (780) 437-3616

www.westernpressure.com