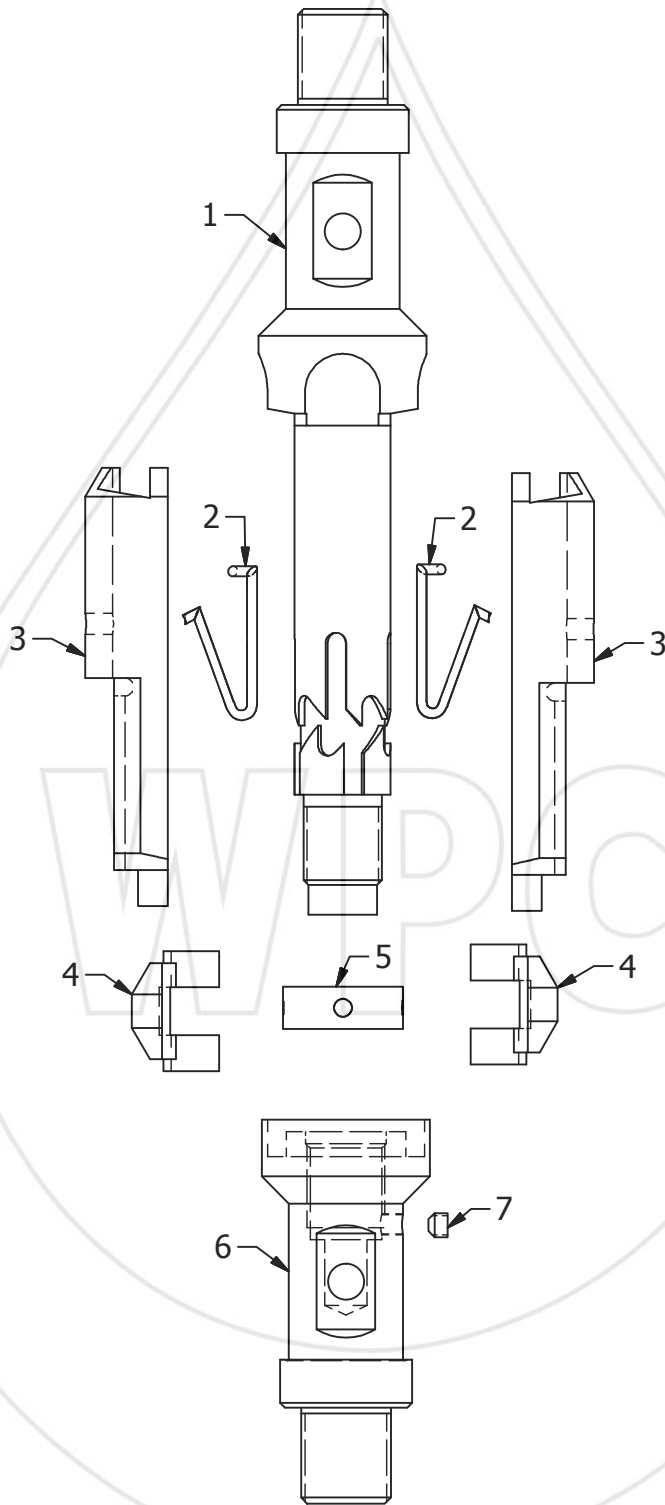


WESTERN PRESSURE CONTROLS 2005 LTD.



TOOL

X-SELECTIVE SHIFTING TOOL



**WESTERN PRESSURE
CONTROLS 2005 LTD.**
10021-56TH AVENUE
EDMONTON, AB, CA
PH: (780) 437-3615
FX: (780) 437-3616

www.westernpressure.com

WESTERN PRESSURE CONTROLS 2005 LTD.

#	PART NAME	1.875"	2.313"
	ASSEMBLY	J1.875X00	J1.313X00
1	MANDREL	J1.875X01	J2.313X01
2	KEY SPRING	J1.875X02	J2.313X02
3	KEY	J1.875X03	J2.313X03
4	DOG	J1.875X04	J2.313X04
5	SLIP RING	J1.875X05	J2.313X05
6	BOTTOM SUB	J1.875X07	J2.313X07
7	SET SCREW	1/4-20UN	1/4-20UN

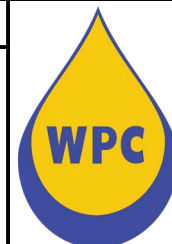
WPC

PURPOSE:

To shift any of the downhole sleeves in one direction without disturbing other sleeves.

TOOL

X-SELECTIVE SHIFTING TOOL



**WESTERN PRESSURE
CONTROLS 2005 LTD.**
10021-56TH AVENUE
EDMONTON, AB, CA
PH: (780) 437-3615
FX: (780) 437-3616

www.westernpressure.com