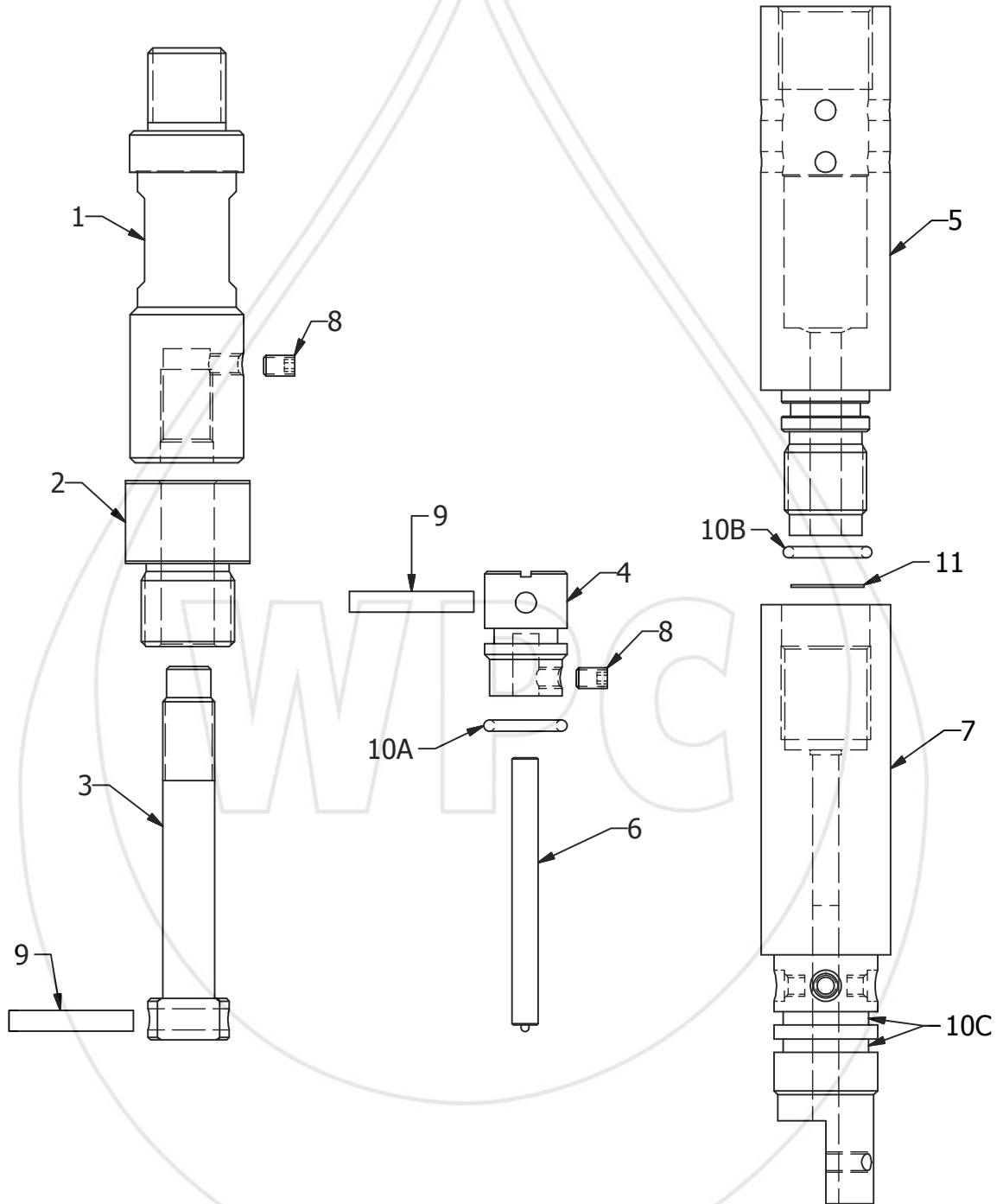


WESTERN PRESSURE CONTROLS 2005 LTD.



TOOL

FIRING HEAD



**WESTERN PRESSURE
CONTROLS 2005 LTD.**
10021-56TH AVENUE
EDMONTON, AB, CA
PH: (780) 437-3615
FX: (780) 437-3616

www.westernpressure.com

WESTERN PRESSURE CONTROLS 2005 LTD.

#	PART NAME	1 1/2"
	ASSEMBLY	H1.500FH00
1	TOP SUB	H1.500FH01
2	RETAINER	H1.500FH03
3	SHAFT	H1.500FH02
4	HYDRAULIC PISTON	H1.500FH05H
4	MANUAL PISTON (NOT SHOWN)	H1.500FH05M
5	SHEAR SUB	H1.500FH04
6	FIRING PIN	H1.500FH06
7	DETONATOR SUB	H1.500FH07
8	SET SCREW	1/4-20UN
9	SHEAR PIN	1/4"
10A	O-RING	210
10B	O-RING	211
10C	O-RING	214
11	STEEL SHEAR DISC (NOT SHOWN)	H1.500FH08
11	BRASS SHEAR DISC	H1.500FH09

PURPOSE:

To perforate tubing using an explosive charge.

To set off a packer setting tool.

SPECIFICATIONS:

Multiple styles of detonator subs available upon request.

TOOL

FIRING HEAD



**WESTERN PRESSURE
CONTROLS 2005 LTD.**

10021-56TH AVENUE
EDMONTON, AB, CA
PH: (780) 437-3615
FX: (780) 437-3616

www.westernpressure.com