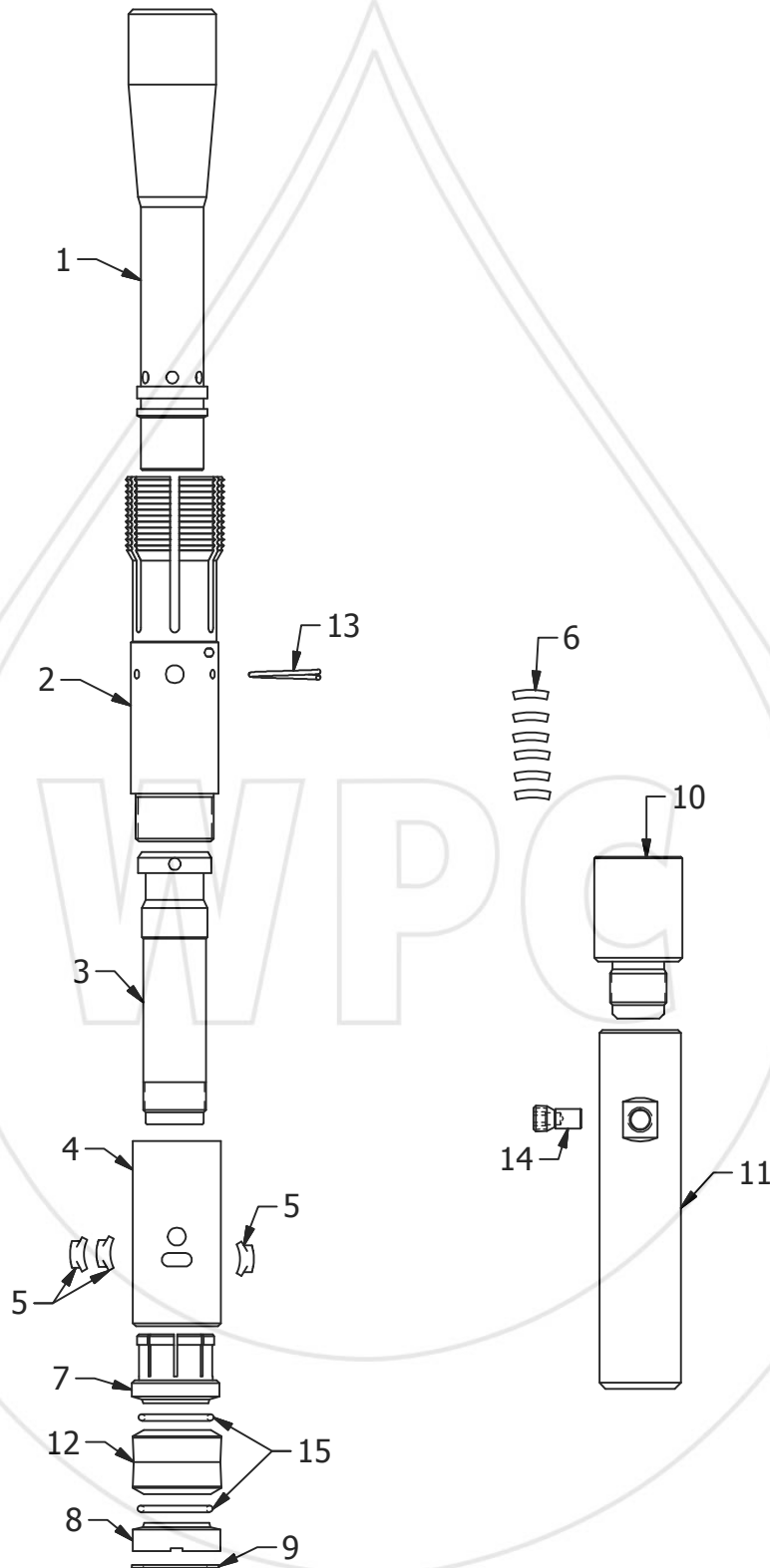


WESTERN PRESSURE CONTROLS 2005 LTD.



TOOL

G-PACKOFF WITH OPTIONAL KOBES BOTTOM



**WESTERN PRESSURE
CONTROLS 2005 LTD.**
10021-56TH AVENUE
EDMONTON, AB, CA
PH: (780) 437-3615
FX: (780) 437-3616

www.westernpressure.com

WESTERN PRESSURE CONTROLS 2005 LTD.

#	PART NAME	2 3/8"	2 7/8"	3"
	ASSEMBLY	G2.375GP00	G2.875GP00	G3.000GP00
1	SLIP MANDREL	G2.375GA01	G2.875GA01	G3.000GA01
2	SLIPS	G2.375GA02	G2.875GA02	G3.000GA02
3	PACKING MANDREL	G2.375GE02	G2.875GE02	G3.000GE02
4	LOCKING SLEEVE	G2.375GE01	G2.875GE01	G3.000GE01
5	LUG SEGMENTS	G2.375GE03	G2.875GE03	G3.000GE03
6	WIRE SEGMENTS (x6)	G2.375GE04	G2.875GE04	G3.000GE04
7	COLLET ELEMENT EXPANDER	G2.375GE05	G2.875GE05	G3.000GE05
8	ELEMENT EXPANDER	G2.375GE06	G2.875GE06	G3.000GE06
9	ELEMENT SPACER WASHER	G2.375GE07	G2.875GE07	G3.000GE07
10	BOTTOM SUB	G2.375GE08	G2.875GE08	G3.000GE08
11	KOBES BOTTOM	OE2.375KB00	OE2.875KB00	OE2.875KB00
12	ELEMENT	2 3/8"-G	2 7/8"-G	3"-G
13	MANDREL WIRE	G2.375GE12	G2.875GE12	G3.500GE12
14	KOBES PLUG	E0.250KP00	E0.250KP00	E0.250KP00
15	O-RING	219	224	226

PURPOSE:

To pack off the wellbore as a standalone unit, or used in tandem to isolate a damaged portion of tubing.

SPECIFICATIONS:

Tandem pack off assembly available.

TOOL

**G-PACKOFF WITH
OPTIONAL KOBES BOTTOM**



**WESTERN PRESSURE
CONTROLS 2005 LTD.**
10021-56TH AVENUE
EDMONTON, AB, CA
PH: (780) 437-3615
FX: (780) 437-3616

www.westernpressure.com