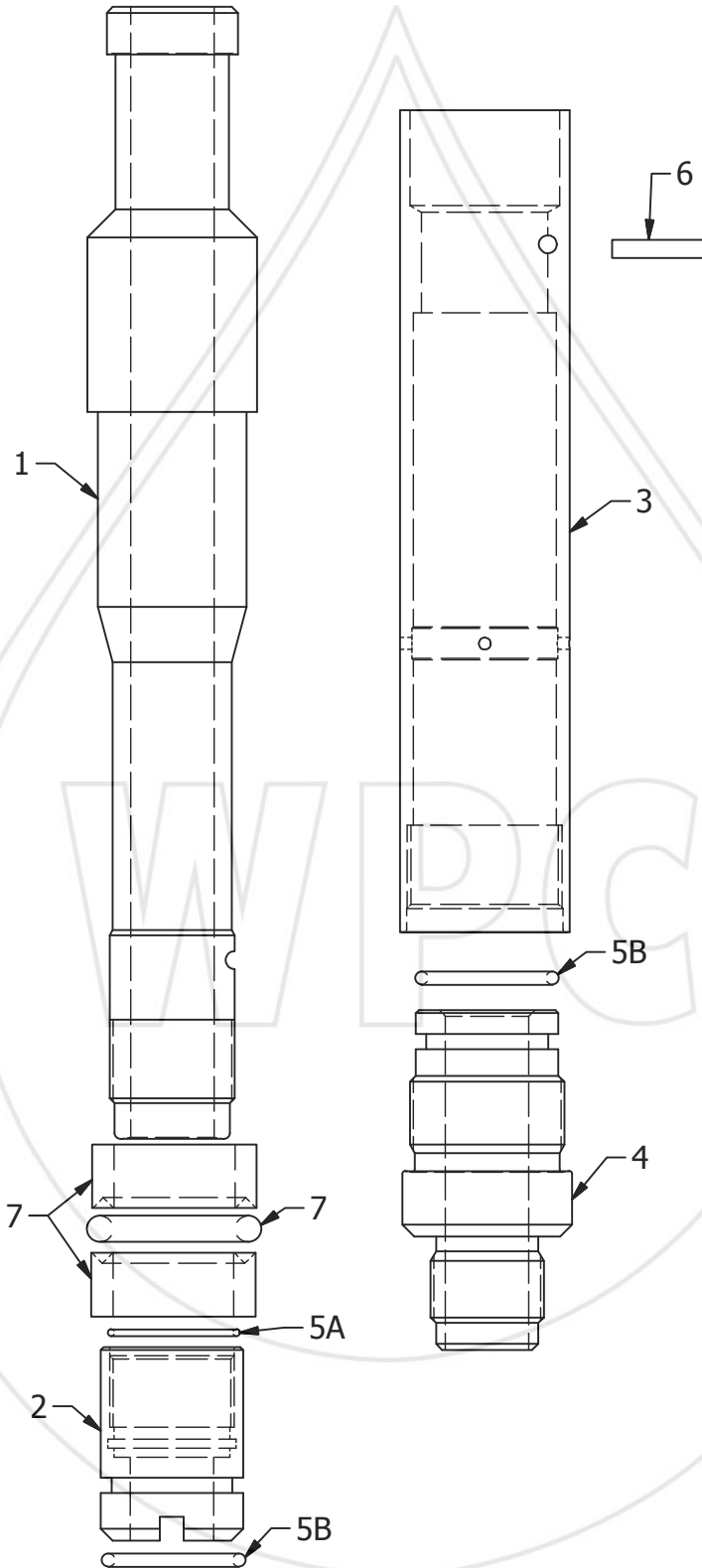


# WESTERN PRESSURE CONTROLS 2005 LTD.



TOOL

## A3-PACKOFF



**WESTERN PRESSURE  
CONTROLS 2005 LTD.**  
10021-56TH AVENUE  
EDMONTON, AB, CA  
PH: (780) 437-3615  
FX: (780) 437-3616

[www.westernpressure.com](http://www.westernpressure.com)

# WESTERN PRESSURE CONTROLS 2005 LTD.

#	PART NAME	1 1/2"	2 3/8"	2 7/8"	3 1/2"
	ASSEMBLY	G1.500A3P00	G2.375A3P00	G2.875A3P00	G3.500A3P00
1	UPPER MANDREL	G1.500A3P01	G2.375A3P01	G2.875A3P01	G3.500A3P01
2	CAP	G1.500A3P02	G2.375A3P02	G2.875A3P02	G3.500A3P02
3	BODY	G1.500A3P03	G2.375A3P03	G2.875A3P03	G3.500A3P03
4	BOTTOM SUB	G1.500A3P04	G2.375A3P04	G2.875A3P04	G3.500A3P04
5A	TOP SUB O-RING	019	026	128	133
5B	TUBE O-RING	212	218	325	329
6	SHEAR PIN	G1.500A3P05	3/16"	1/8"	1/8"
7	ELEMENT	1 1/2" - A3	2 3/8"-A3	2 7/8"-A3	3 1/2"-A3

WPC

**PURPOSE:**

Designed to isolate well pressure as well as a array of other applications. Mainly used in deteriorated or damaged tubing where a stand alone or conventional plug can not be used.

**SPECIFICATIONS:**

The 1 1/2" tool uses locking segments rather than a shear pin.

TOOL

**A3-PACKOFF**



**WESTERN PRESSURE CONTROLS 2005 LTD.**  
 10021-56TH AVENUE  
 EDMONTON, AB, CA  
 PH: (780) 437-3615  
 FX: (780) 437-3616

[www.westernpressure.com](http://www.westernpressure.com)