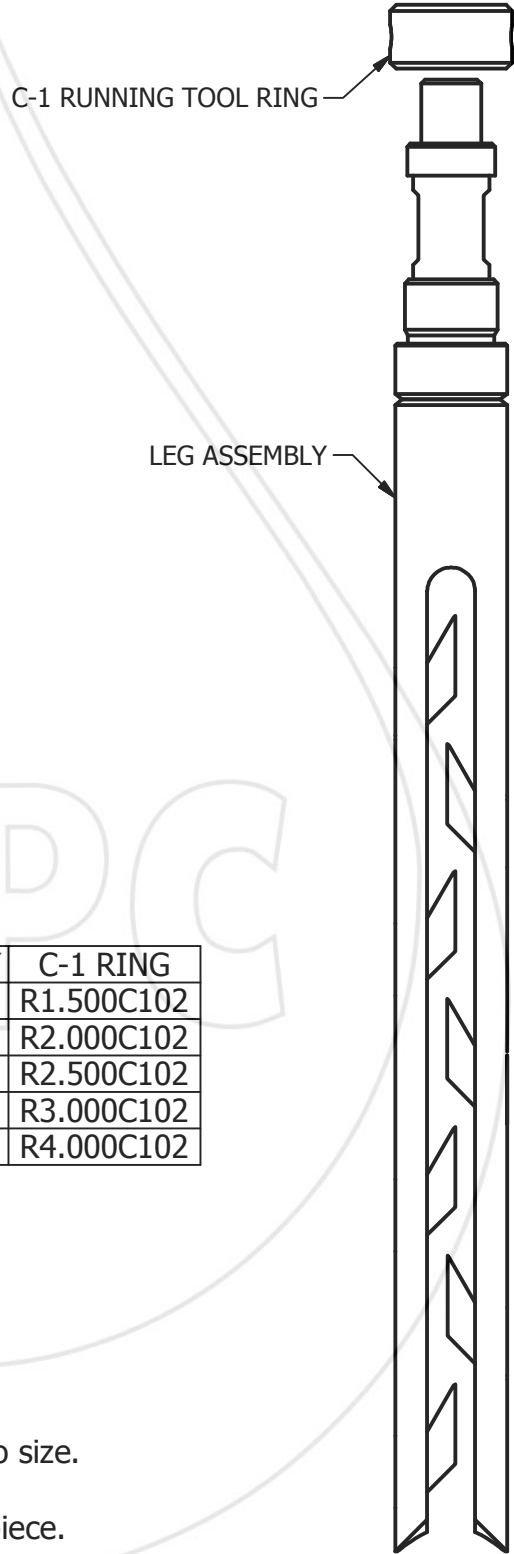


WESTERN PRESSURE CONTROLS 2005 LTD.



SIZE	2 LEG ASSEMBLY	3 LEG ASSEMBLY	C-1 RING
2 1/16"	F2.063WG00	F2.063WG10	R1.500C102
2 3/8"	F2.375WG00	F2.375WG10	R2.000C102
2 7/8"	F2.875WG00	F2.875WG10	R2.500C102
3 1/2"	F3.500WG00	F3.500WG10	R3.000C102
4"	F4.000WG00	F4.000WG10	R4.000C102

PURPOSE:

To retrieve broken wireline down the well bore.

SPECIFICATIONS:

C-1 running tool ring prevents decent below no-go size.

Available in 2 or 3 leg configurations.

Leg assembly is welded together to be sold as 1 piece.

TOOL

WIRE GRAB



**WESTERN PRESSURE
CONTROLS 2005 LTD.**
10021-56TH AVENUE
EDMONTON, AB, CA
PH: (780) 437-3615
FX: (780) 437-3616

www.westernpressure.com