

# WESTERN PRESSURE CONTROLS 2005 LTD.

#	PART NAME
1	TOP SUB
2	SPRING
3	SLIPS
4	SHAFT

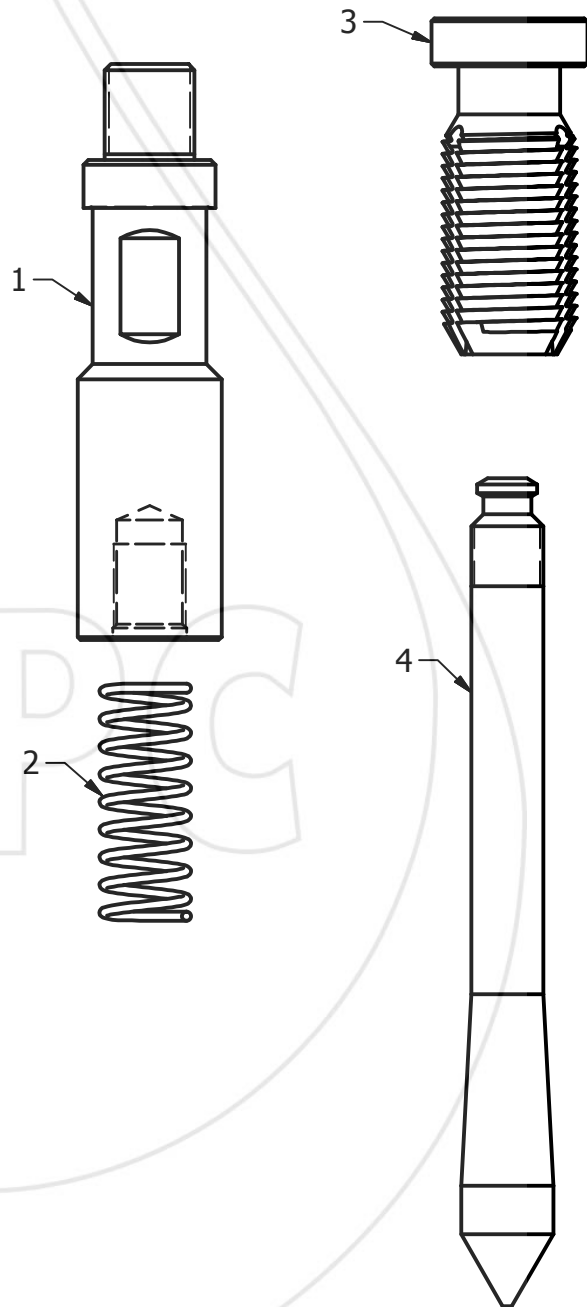
GRAPLE SLIP SIZES		
7/16" SHAFT	5/8" SHAFT	3/4" SHAFT
0.635	0.885	1.500
0.690	0.948	1.790
0.710	1.010	1.813
0.740	1.040	1.950
0.770	1.060	-
0.800	1.135	-
-	1.250	-
-	1.390	-

**PURPOSE:**

Used to fish tools with broken or damaged fishnecks that have viable internal clearance to latch on with slips.

**SPECIFICATIONS:**

Three shaft sizes: 7/16", 5/8" 3/4"  
 Many sizes of slips are stocked, other sizes are manufactured on demand. Please contact for more informations.



TOOL

**A-SPEAR**



**WESTERN PRESSURE CONTROLS 2005 LTD.**  
 10021-56TH AVENUE  
 EDMONTON, AB, CA  
 PH: (780) 437-3615  
 FX: (780) 437-3616

[www.westernpressure.com](http://www.westernpressure.com)