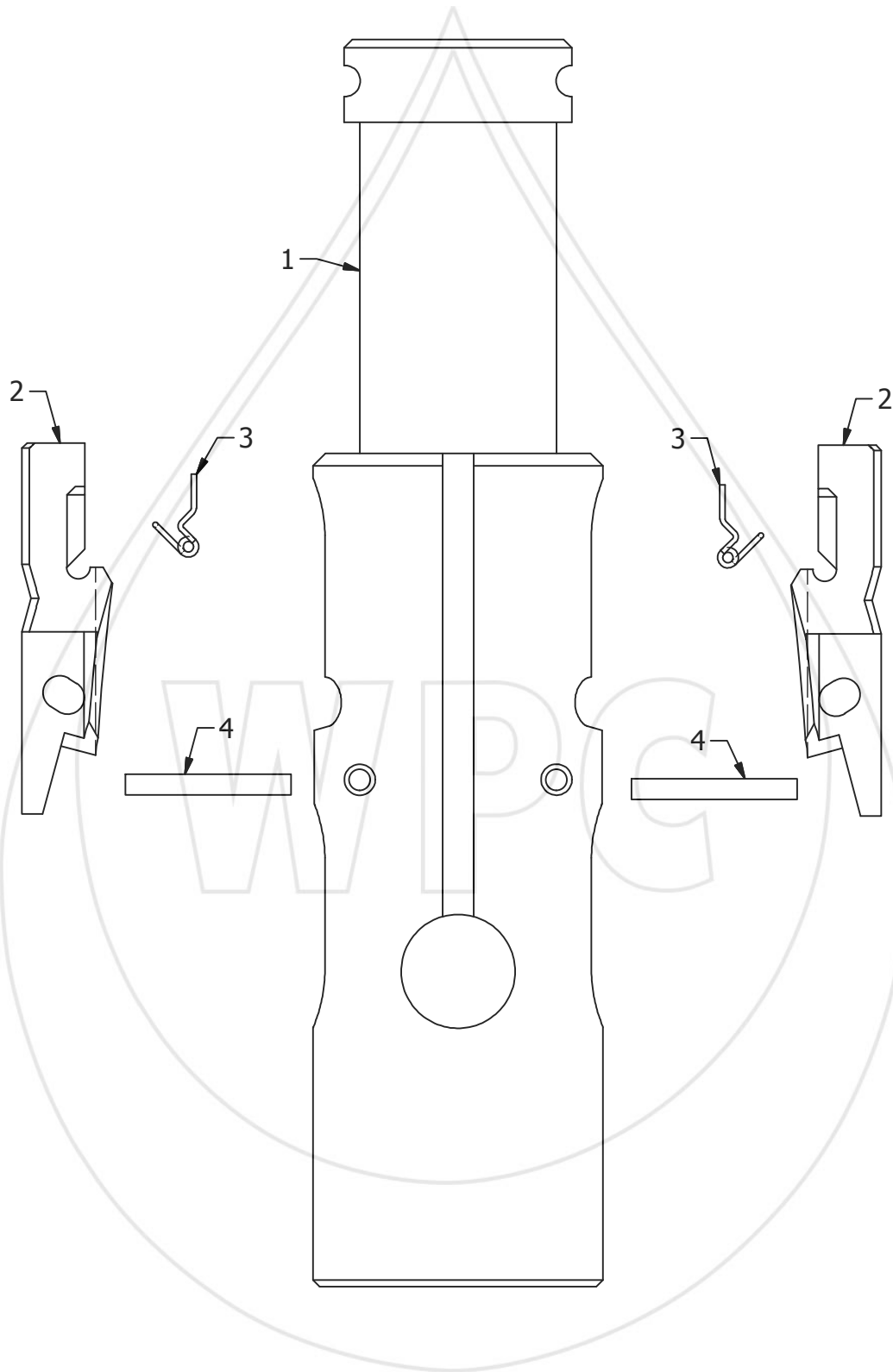


WESTERN PRESSURE CONTROLS 2005 LTD.



TOOL

**BAKER STYLE
Z-LOCK**



**WESTERN PRESSURE
CONTROLS 2005 LTD.**
10021-56TH AVENUE
EDMONTON, AB, CA
PH: (780) 437-3615
FX: (780) 437-3616

www.westernpressure.com

WESTERN PRESSURE CONTROLS 2005 LTD.

#	PART NAME	1.437"	1.500"	1.562"	1.625"	1.781"
	ASSEMBLY	BM1.437RZ00	BM1.500RZ00	BM1.562RZ00	BM1.625RZ00	BM1.781RZ00
1	BODY	BM1.437RZ01	BM1.500RZ01	BM1.562RZ01	BM1.625RZ01	BM1.781RZ01
2	DOG	BM1.900DOG01	BM1.900DOG01	BM2.062DOG01	BM2.062DOG01	BM2.375DOG01
3	DOG SPRING	BM1.900DOG02	BM1.900DOG02	BM2.062DOG02	BM2.062DOG02	BM2.375DOG02
4	PIN	BM1.900DOG03	BM1.900DOG03	BM2.062DOG03	BM2.062DOG03	BM2.375DOG03

#	1.813"	1.875"	2.250"	2.313"	2.750"	2.813"
	BM1.813RZ00	BM1.875RZ00	BM2.250RZ00	BM2.313RZ00	BM2.750RZ00	BM2.813RZ00
1	BM1.813RZ01	BM1.875RZ01	BM2.250RZ01	BM2.313RZ01	BM2.750RZ01	BM2.813RZ01
2	BM2.375DOG01	BM2.375DOG01	BM2.375DOG01	BM2.375DOG01	BM3.000DOG01	BM3.000DOG01
3	BM2.375DOG02	BM2.375DOG02	BM2.375DOG02	BM2.375DOG02	BM3.000DOG02	BM3.000DOG02
4	BM2.375DOG03	BM2.375DOG03	BM2.375DOG03	BM2.375DOG03	BM3.000DOG03	BM3.000DOG03

WPC

PURPOSE:

A selective lock that prevents upward movement with a set of dogs.

The "Z" lock downward movement is prevented by a no-go on the equalizing assembly.

SPECIFICATIONS:

H2S service.

Available with "T" keys for use in collars.

TOOL

**BAKER STYLE
Z-LOCK**



**WESTERN PRESSURE
CONTROLS 2005 LTD.**
10021-56TH AVENUE
EDMONTON, AB, CA
PH: (780) 437-3615
FX: (780) 437-3616

www.westernpressure.com