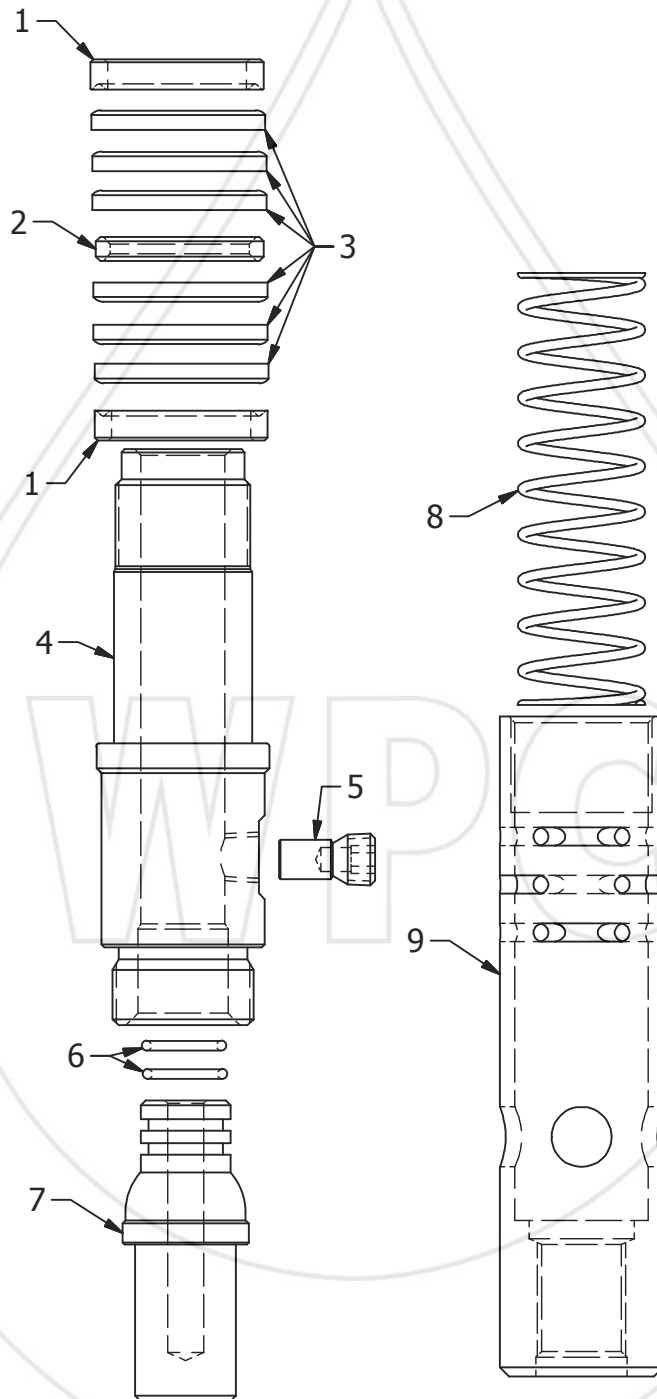


# WESTERN PRESSURE CONTROLS 2005 LTD.



TOOL

## BAKER STYLE CHOKE WITH OPTIONAL KOBES AND 5/8 S.R. BOX



**WESTERN PRESSURE  
CONTROLS 2005 LTD.**  
10021-56TH AVENUE  
EDMONTON, AB, CA  
PH: (780) 437-3615  
FX: (780) 437-3616

[www.westernpressure.com](http://www.westernpressure.com)

# WESTERN PRESSURE CONTROLS 2005 LTD.

#	PART NAME	2 3/8"	2 7/8"	3 1/2"
	ASSEMBLY			
1	FEMALE BACK-UP RING	BE1.781BUR01	BE2.250BUR01	BE2.75BUR01
	"	BE1.813BUR01	BE2.313BUR01	BE2.813BUR01
	"	BE1.875BUR01		
2	MALE BACK-UP RING	BE1.781BUR02	BE2.250BUR02	BE2.750BUR02
	"	BE1.813BUR02	BE2.313BUR02	BE2.813BUR02
	"	BE1.875BUR02		
3	PACKING	BVP91VB17800NK BVP91VB18120NK BVP91VB18750NK	BVP91VB22500NK BVP91VB23130NK	BVP91VB27500NK BVP91VB28130NK
4	PACKING MANDREL (WITH KOBES)	BE1.781BC02	BE2.250BC02	BE2.750BC02
	"	BE1.813BC02	BE2.313BC02	BE2.813BC02
	"	BE1.875BC02		
	(WITHOUT KOBES)	BE1.781BC01	BE2.250BC01	BE2.750BC01
	"	BE1.813BC01	BE2.313BC01	BE2.813BC01
	"	BE1.875BC01		
5	KOBES PLUG	E0.250KP00	E0.250KP00	E0.250KP00
6	O-RING	116	116	116
7	CHOKE BEAN	BE2.375BC03	BE2.875BC03	BE2.875BC03
8	SPRING	BE2.375BC10	BE2.875BC10	BE2.875BC10
9	BEAN CAGE (WITH 5/8 S.R. BOX)	BE2.375BC08	BE2.875BC08	BE2.875BC08
	(WITHOUT S.R. BOX)	BE2.375BC05	BE2.875BC05	BE2.875BC05

**PURPOSE:**

To provide flow control of well fluids and gases

**SPECIFICATIONS:**

Choke bean available with packing and back-up rings instead of o-rings.

Available in different no-go sizes per range.

Packing is available in different materials upon request.

TOOL

**BAKER STYLE  
CHOKE WITH OPTIONAL  
KOBES AND 5/8 S.R.**



**WESTERN PRESSURE  
CONTROLS 2005 LTD.**  
10021-56TH AVENUE  
EDMONTON, AB, CA  
PH: (780) 437-3615  
FX: (780) 437-3616

[www.westernpressure.com](http://www.westernpressure.com)