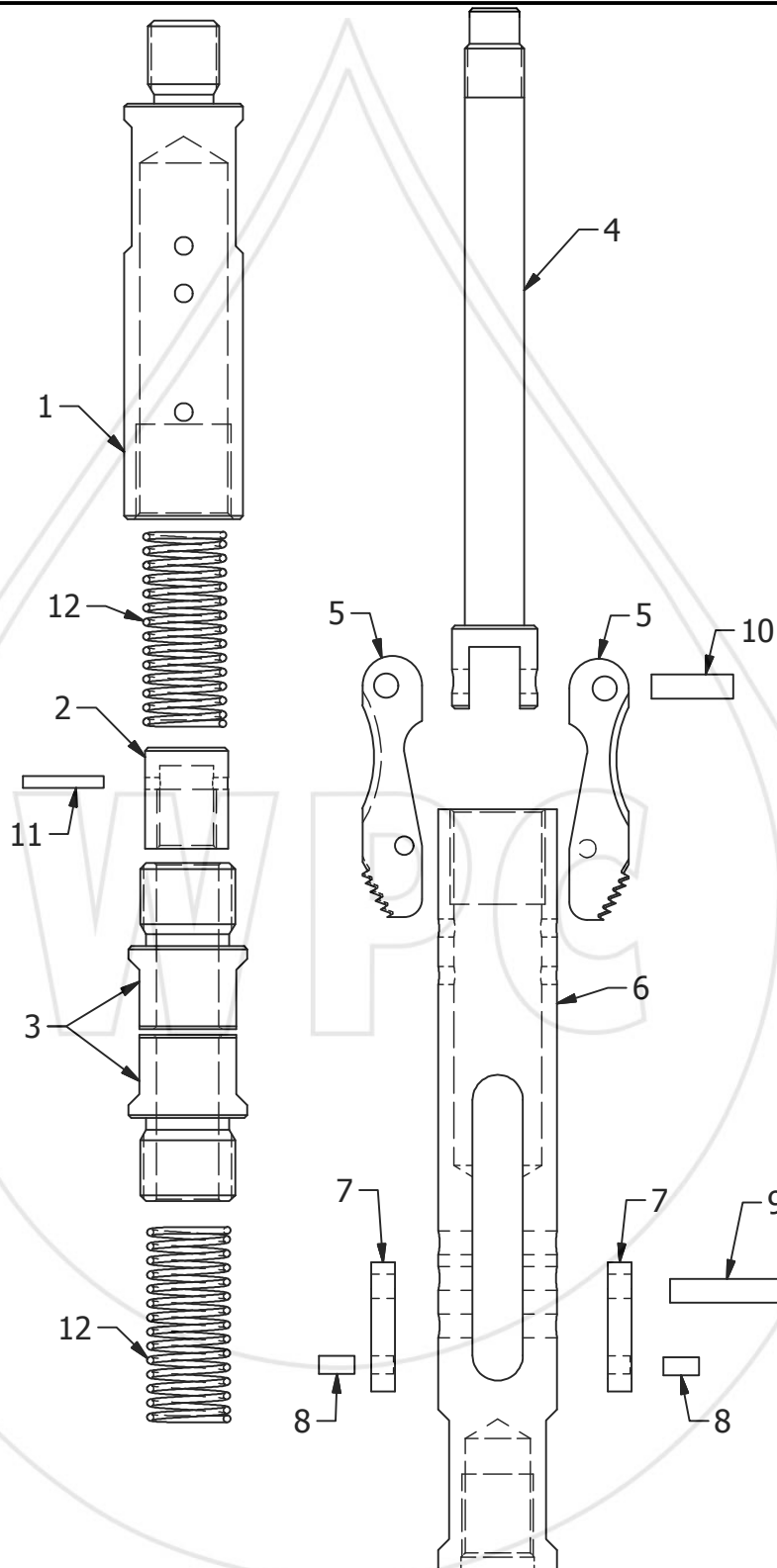


# WESTERN PRESSURE CONTROLS 2005 LTD.



TOOL

## HOLD DOWN (NO-BLOW)



**WESTERN PRESSURE  
CONTROLS 2005 LTD.**  
10021-56TH AVENUE  
EDMONTON, AB, CA  
PH: (780) 437-3615  
FX: (780) 437-3616

[www.westernpressure.com](http://www.westernpressure.com)

# WESTERN PRESSURE CONTROLS 2005 LTD.

#	PART NAME	1.900"	2.063"	2.375"	2.875"	3.500"	4.500"
	ASSEMBLY	B1.900HD00	B2.063HD00	B2.375HD00	B2.875HD00	B3.500HD00	B4.500HD00
1	TOP SUB	B1.900HD01	B1.900HD01	B2.375HD01	B2.375HD01	B2.375HD01	B4.500HD01
2	CORE CAP	B1.900HD02	B1.900HD02	B2.375HD02	B2.375HD02	B2.375HD02	B4.500HD02
3	SPRING RETAINER	B1.900HD03	B1.900HD03	B2.375HD03	B2.375HD03	B2.375HD03	B4.500HD03
4	TOOL CORE	B1.900HD04	B1.900HD04	B2.375HD04	B2.375HD04	B2.375HD04	B4.500HD04
5	HOLD DOWN DOG	B1.900HD05	B2.063HD05	B2.375HD05	B2.875HD05	B3.500HD05	B4.500HD05
6	BODY	B1.900HD08	B1.900HD08	B2.375HD08	B2.375HD08	B2.375HD08	B4.500HD08
7	CAM	B1.900HD06	B2.063HD06	B2.375HD06	B2.875HD06	B3.500HD06	B4.500HD06
8	CAM PIN	--	--	--	--	--	--
9	CAM RETAINER PIN	1/4 x 1 1/4	1/4 x 1 1/4	1/4 x 1 1/4	1/4 x 1 1/4	1/4 x 1 1/4	1/4 x 1 1/4
10	DOG RETAINER PIN	1/4 x 0.86	1/4 x 0.86	1/4 x 0.86	1/4 x 0.86	1/4 x 0.86	1/4 x 0.86
11	CORE CAP PIN	1/8 x 0.844	1/8 x 0.844	1/8 x 0.844	1/8 x 0.844	1/8 x 0.844	1/8 x 0.844
12	HOLD DOWN SPRING	B2.375HD07	B2.375HD07	B2.375HD07	B2.375HD07	B2.375HD07	B2.375HD07

\*\*NOTE: -The 4 1/2" hold down only comes in tandem hold down model (4 dogs versus standard 2 dogs)  
-Cam Pin sold as part of Cam (#7)

**PURPOSE:**

To prevent the instrument carrier from being pushed up the well by a sudden burst of gas or slogs of fluid/debris.

**SPECIFICATIONS:**

Cam pin (#8) sold on assembly with cam (#7)

TOOL

**HOLD DOWN  
(NO-BLOW)**



**WESTERN PRESSURE CONTROLS 2005 LTD.**  
10021-56TH AVENUE  
EDMONTON, AB, CA  
PH: (780) 437-3615  
FX: (780) 437-3616

[www.westernpressure.com](http://www.westernpressure.com)