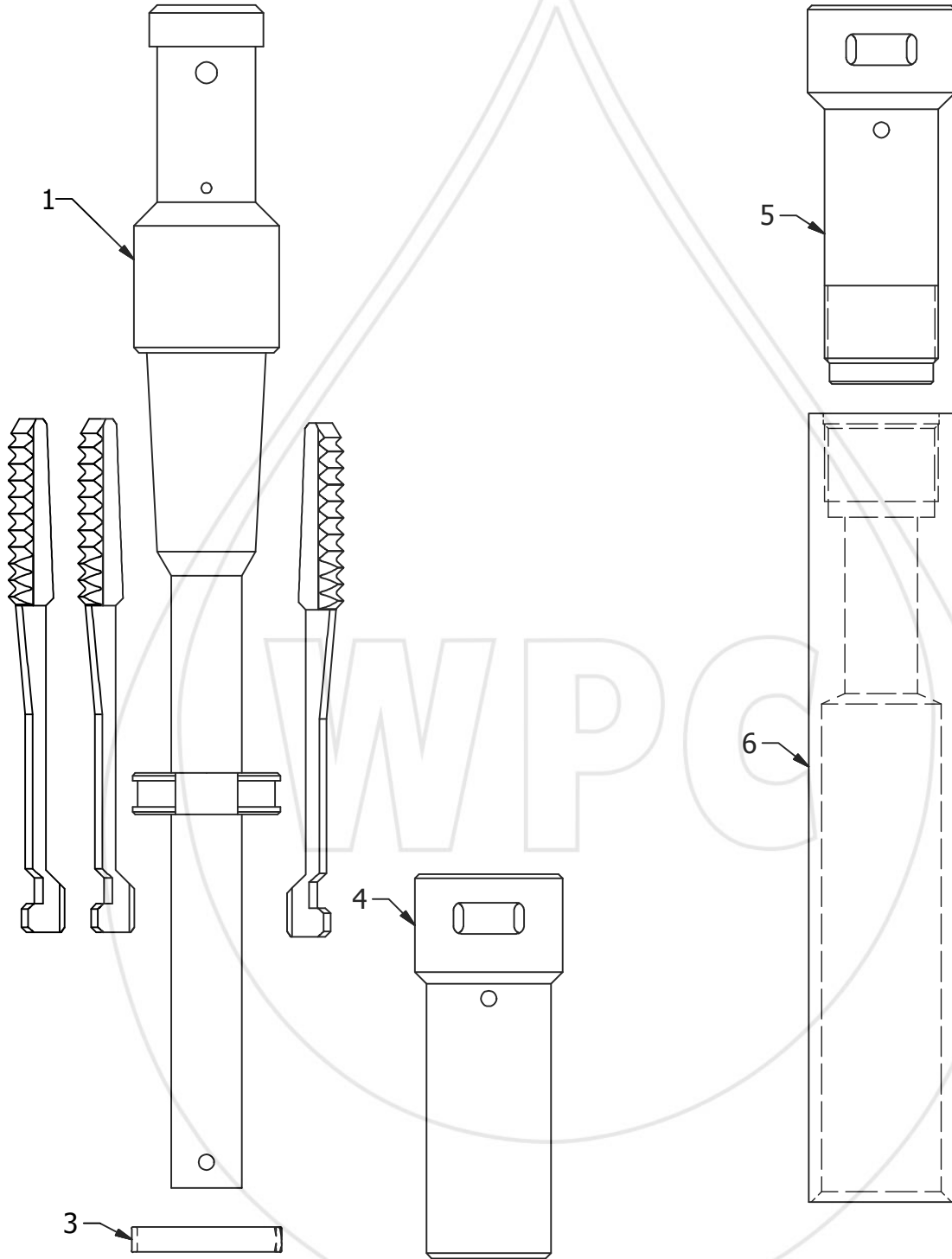


WESTERN PRESSURE CONTROLS 2005 LTD.



TOOL

TUBING STOP



**WESTERN PRESSURE
CONTROLS 2005 LTD.**
10021-56TH AVENUE
EDMONTON, AB, CA
PH: (780) 437-3615
FX: (780) 437-3616

www.westernpressure.com

WESTERN PRESSURE CONTROLS 2005 LTD.

#	PART NAME	1.250"	1.313"	1.660	1.900"	2.063"
	ASSEMBLY	B1.250TS00	B1.313TS00	B1.660TS00	B1.900TS00	B2.063TS00
1	BODY	B1.250TS01	B1.660TS01	B1.660TS01	B1.900TS01	B1.900TS01
2	SLIPS	B1.250TS02	B1.313TS02	B1.660TS02	B1.900TS02	B2.063TS02
3	RING	B1.250TS03	B1.660TS03	B1.660TS03	B1.900TS03	B1.900TS03
4	SLIP RETAINER	B1.250TS04	B1.660TS04	B1.660TS04	B1.900TS04	B1.900TS04
5	THREADED SLIP RETAINER	NONE	NONE	NONE	B1.900TS05	NONE
6	BKO SLEEVE	NONE	NONE	NONE	B1.900TS06	NONE

#	2.375"	2.875"	3.500"	4.500"
	B2.375TS00	B2.875TS00	B3.500TS00	B4.500TS00
1	B2.375TS01	B2.875TS01	B3.500TS01	B4.500TS01
2	B2.375TS02	B2.875TS02	B3.500TS02	B4.500TS02
3	B2.375TS03	B2.875TS03	B3.500TS03	B4.500TS03
4	B2.375TS04	B2.875TS04	B3.500TS04	B4.500TS04
5	B2.375TS06	B2.875TS06	B3.500TS06	B4.500TS07
6	B2.375TS05	B2.875TS05	B3.500TS05	B4.500TS08

PURPOSE:

To set a stop for tubing string without the use of couplings to set collar stops.

SPECIFICATIONS:

Available with BKO sleeve for baker style lock bodies.
More information available upon request.

TOOL

TUBING STOP



**WESTERN PRESSURE
CONTROLS 2005 LTD.**
10021-56TH AVENUE
EDMONTON, AB, CA
PH: (780) 437-3615
FX: (780) 437-3616

www.westernpressure.com