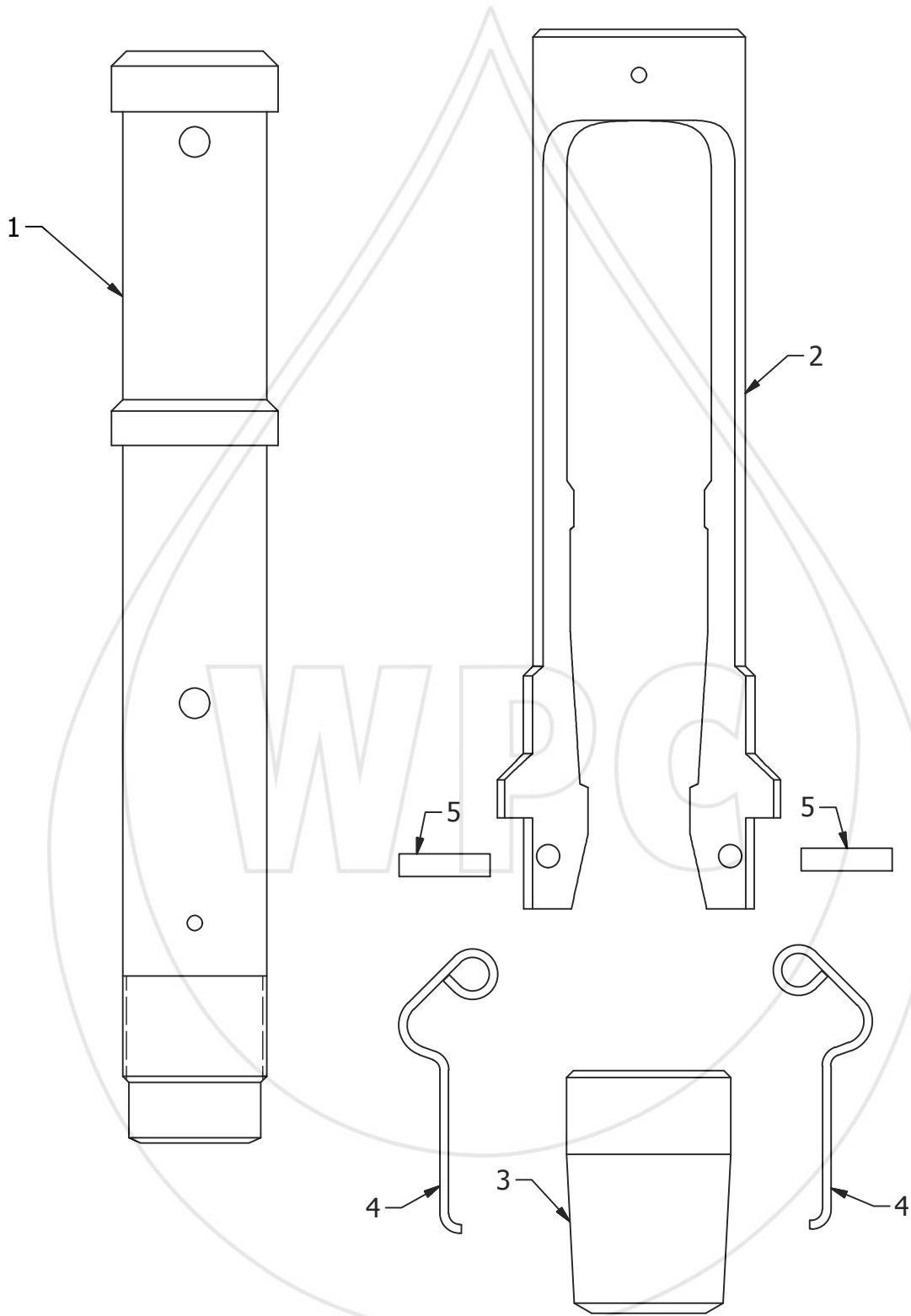


# WESTERN PRESSURE CONTROLS 2005 LTD.



TOOL

## COLLAR STOP



**WESTERN PRESSURE  
CONTROLS 2005 LTD.**  
10021-56TH AVENUE  
EDMONTON, AB, CA  
PH: (780) 437-3615  
FX: (780) 437-3616

[www.westernpressure.com](http://www.westernpressure.com)

# WESTERN PRESSURE CONTROLS 2005 LTD.

#	PART NAME	2.375"	2.875"	3.500"	4.500"
	ASSEMBLY	B2.375CS00	B2.875CS00	B3.500CS00	B4.500CS00
1	BODY	B2.375CS01	B2.875CS01	B3.500CS01	B4.500CS01
2	LEGS	B2.375CS02	B2.875CS02	B3.500CS02	B4.500CS02
3	NUT	B2.375CS03	B2.875CS03	B3.500CS03	B4.500CS03
4	TRIP WIRES	B2.375CS06	B2.875CS06	B3.500CS06	B4.500CS06
5	RETAINER PINS	B2.375CS07	B2.875CS07	B3.500CS07	B4.500CS07

WPC

**PURPOSE:**

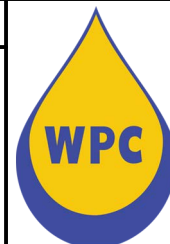
To provide a solid footing and/or anchor in tubing

**SPECIFICATIONS:**

The legs of the tool are held in place by the trip wires and when the desired depth is reached jarring upward will release the trip wires, then jarring down will set the tool and release the running tool. The tool is wireline retrievable.

TOOL

**COLLAR STOP**



**WESTERN PRESSURE  
CONTROLS 2005 LTD.**  
10021-56TH AVENUE  
EDMONTON, AB, CA  
PH: (780) 437-3615  
FX: (780) 437-3616

[www.westernpressure.com](http://www.westernpressure.com)