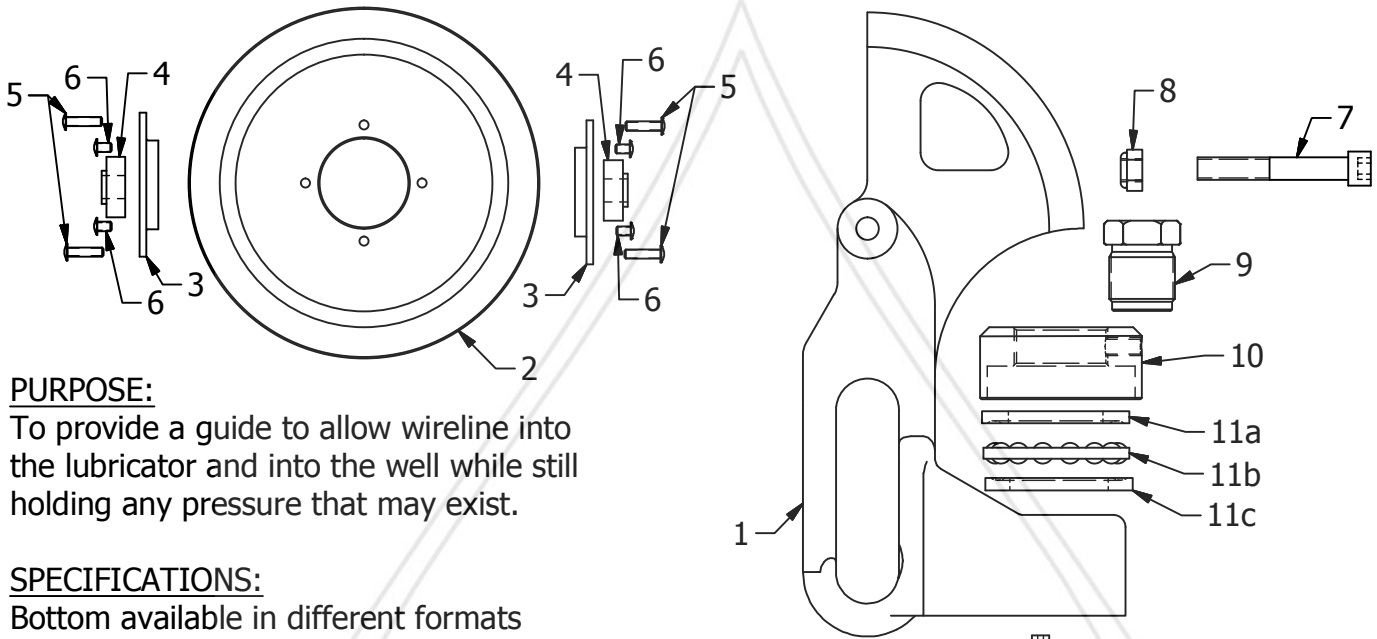


WESTERN PRESSURE CONTROLS 2005 LTD.



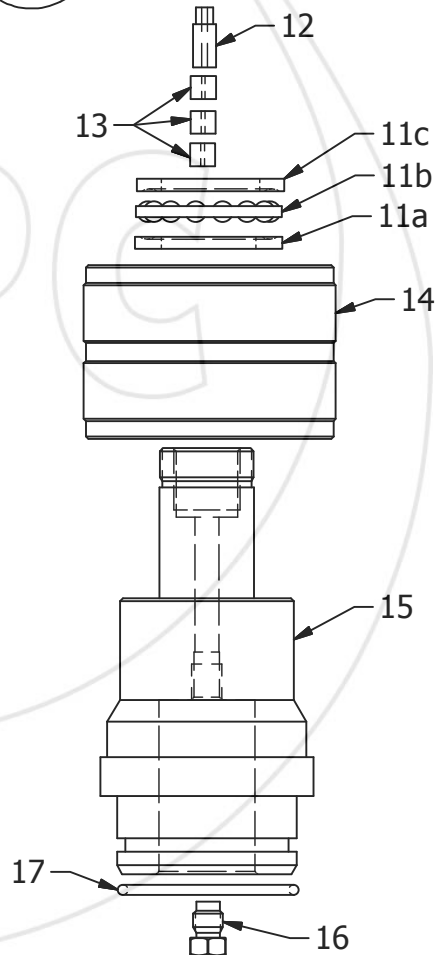
PURPOSE:

To provide a guide to allow wireline into the lubricator and into the well while still holding any pressure that may exist.

SPECIFICATIONS:

Bottom available in different formats (ex: line pipe box)

#	PART NAME	PART NUMBER
	ASSEMBLY	A7.000HSB00
1	STUFFING BOX FRAME	A7.000HSB01
2	WHEEL	A7.000HSB03
3	BEARING HOUSING	A7.000HSB11
4	WHEEL BEARING	A7.000BN01
5	HOUSING SCREWS	10-32UN x 0.75" BUTTON HEAD
6	BEARING RETAINER SCREWS	10-32UN x 0.25" BUTTON HEAD
7	AXLE	1/2"-13UN x 3.125"
8	AXLE NUT	1/2" NC NYLOC
9	PACKING NUT	A7.000HSB05
10	BEARING NUT	A7.000HSB08
11a	BEARING SMALL I.D. OUTER RACE	A16.00BN03
11b	BEARING INNER RACE	A16.00BN04
11c	BEARING LARGE I.D. OUTER RACE	A16.00BN05
12	BRASS INSERT	A7.000HSB12
13	PACKING	SBBT/CROWN
14	BOWEN UNION NUT	A3.500BHU03
15	STUFFING BOX BODY	A7.000HSB15
16	PACKING RETAINER	A16.00SB09
17	O-RING	#340



TOOL

7" W.P.C. STUFFING BOX



WESTERN PRESSURE CONTROLS 2005 LTD.
 10021-56TH AVENUE
 EDMONTON, AB, CA
 PH: (780) 437-3615
 FX: (780) 437-3616

www.westernpressure.com