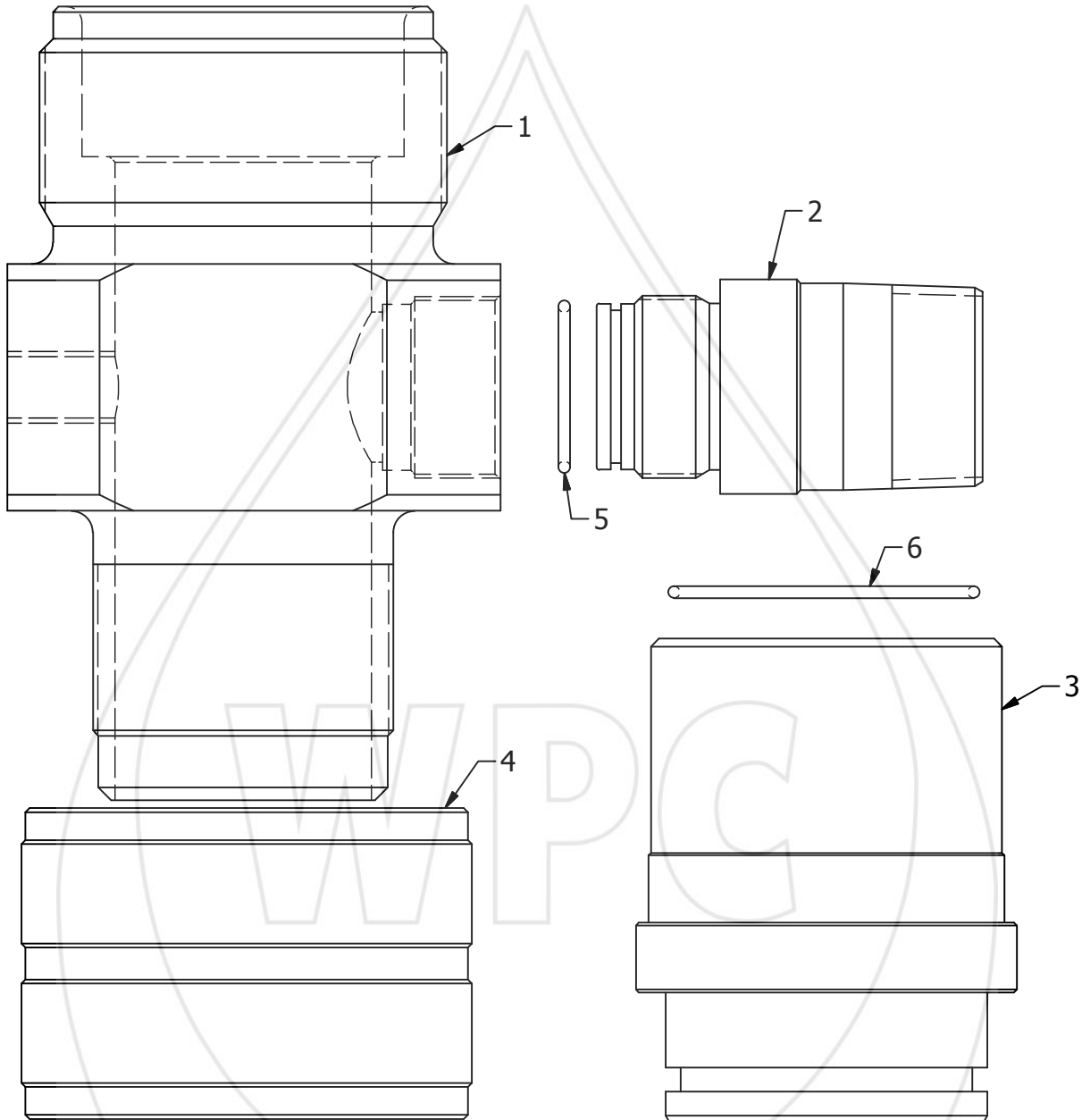


# WESTERN PRESSURE CONTROLS 2005 LTD.



#	PART NAME	PART #
	ASSEMBLY	A3.000PS00
1	BODY	A3.000PS01
2	CROSSOVER SUB	A3.000PS02
3	MALE HAND UNION	A3.500BHU01
4	UNION NUT	A3.500BHU03
5	O-RING	132
6	O-RING	237
7	O-RING	340

**PURPOSE:**

Used for the injection or bleed-off of fluids and/or pressure in a well.

**SPECIFICATIONS:**

5000psi working pressure.

1/2" npt bleed port.

Part #2 can be modded to fit customer specs.

TOOL

**3" PUMP IN SUB  
(NEW STYLE)**



**WESTERN PRESSURE  
CONTROLS 2005 LTD.**  
10021-56TH AVENUE  
EDMONTON, AB, CA  
PH: (780) 437-3615  
FX: (780) 437-3616

www.westernpressure.com