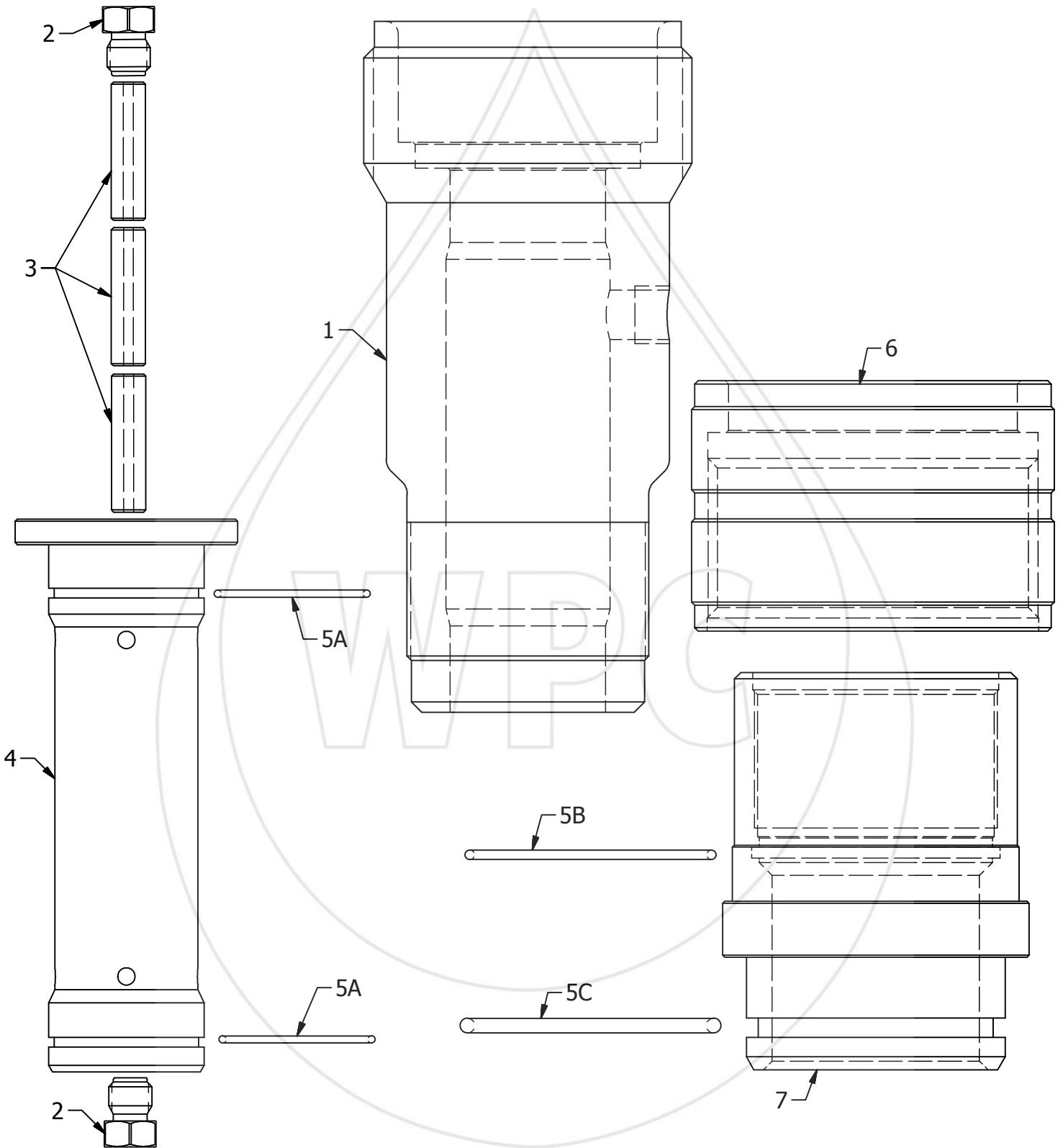
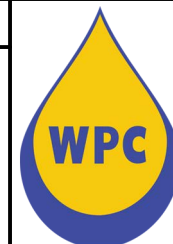


# WESTERN PRESSURE CONTROLS 2005 LTD.



TOOL

## LINE OILER



**WESTERN PRESSURE  
CONTROLS 2005 LTD.**  
10021-56TH AVENUE  
EDMONTON, AB, CA  
PH: (780) 437-3615  
FX: (780) 437-3616

[www.westernpressure.com](http://www.westernpressure.com)

# WESTERN PRESSURE CONTROLS 2005 LTD.

#	PART NAME	3"
	ASSEMBLY	A3.000LOA00
1	BODY	A3.000LOA01
2	RETAINER	A3.000LOA06
3	PACKING GLAND	A3.000LOA02
4	BRASS INSERT	A3.000LOA03
4	NYLON INSERT	A3.000LOA04
4	BRONZE INSERT	A3.000LOA05
5A	O-RING	#137
5B	O-RING	#237
5C	O-RING	#340
6	MALE HAND UNION	A3.500BHU03
7	UNION NUT	A3.500BHU01

WPC

**PURPOSE:**

To oil the wireline to prevent heat of friction.  
Can be used to treat the wireline against H<sub>2</sub>S corrosion.

**SPECIFICATIONS:**

Inserts available in brass (default), nylon and bronze.

TOOL

**LINE OILER**



**WESTERN PRESSURE  
CONTROLS 2005 LTD.**  
10021-56TH AVENUE  
EDMONTON, AB, CA  
PH: (780) 437-3615  
FX: (780) 437-3616

[www.westernpressure.com](http://www.westernpressure.com)