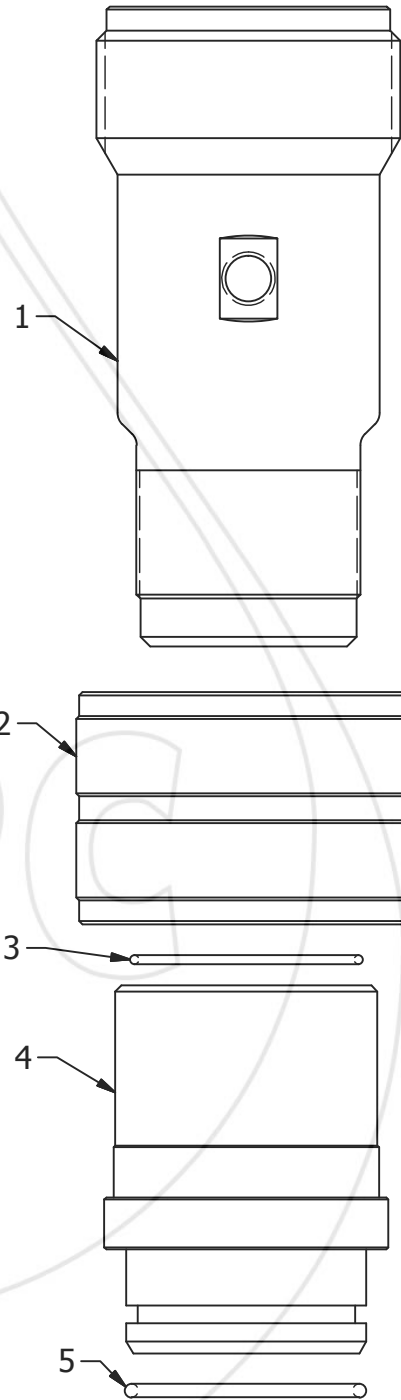


# WESTERN PRESSURE CONTROLS 2005 LTD.



**PURPOSE:**

To gauge pressure in the lubricator or bleed off pressure above the wireline valve.

**SPECIFICATIONS:**

5000psi working pressure.  
1/2" NPT

3" BLEED-OFF		
#	PART NAME	PART NUMBER
1	BLEED-OFF SUB	A3.000BOS00
2	UNION NUT	A3.500SBHU03
3	O-RING	#237
4	MALE UNION	A3.500BHU01
5	O-RING	#340

TOOL

**W.P.C.**  
**3" BLEED-OFF**



**WESTERN PRESSURE CONTROLS 2005 LTD.**  
10021-56TH AVENUE  
EDMONTON, AB, CA  
PH: (780) 437-3615  
FX: (780) 437-3616

www.westernpressure.com