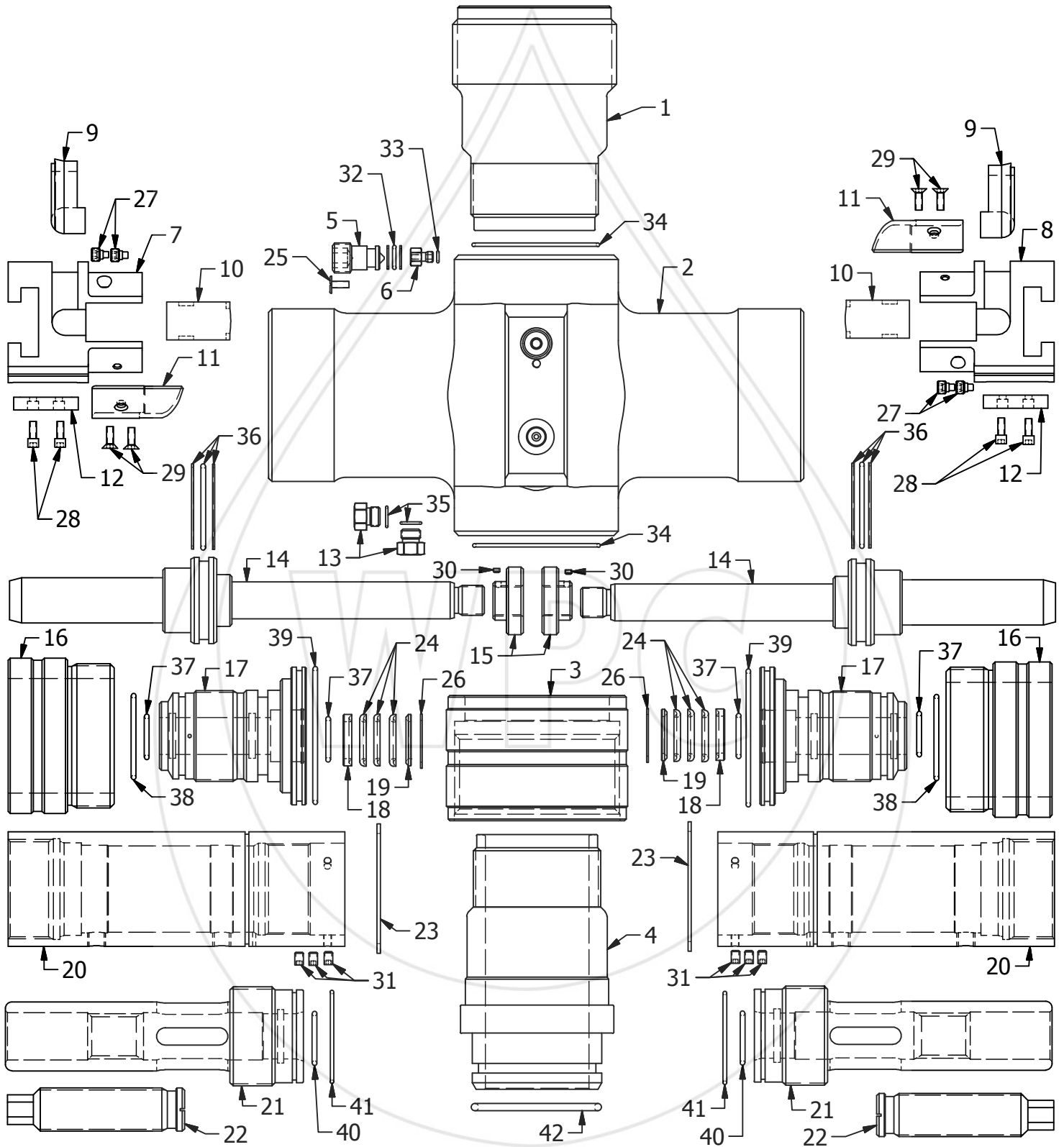


WESTERN PRESSURE CONTROLS 2005 LTD.



TOOL

W.P.C. 3" WIRELINE VALVE WITH HYDRAULIC ACTUATORS



**WESTERN PRESSURE
CONTROLS 2005 LTD.**
10021-56TH AVENUE
EDMONTON, AB, CA
PH: (780) 437-3615
FX: (780) 437-3616

www.westernpressure.com

WESTERN PRESSURE CONTROLS 2005 LTD.

#	PART NAME	3"
	ASSEMBLY	A3.000BOPACT00
1	TOP SUB	A3.000BOP01
2	BODY	A3.000BOP02
3	UNION NUT	A3.000BHU03
4	BOTTOM SUB	A3.000BOP16
5	BLEEDOFF VALVE	A3.000BOP13
6	VALVE SEAT	A3.000BOP14
7	RAM BLOCK B	A3.000BOP07B
8	RAM BLOCK A	A3.000BOP07A
9	OUTER RAM SEAL	A3.000BOP54
10	INNER RAM SEAL	A3.000BOP53
11	LINE GUIDE (BRAIDED LINE)	A3.000BOP08B
11	LINE GUIDE (SLICK LINE)	A3.000BOP08S
12	GUIDE KEYS	A3.000BOP11
13	O.R.B.	-6 O.R.B.
14	PISTON	A3.000ACT04
15	PISTON NUT	A3.000ACT07
16	HOUSING NUT	A3.000ACT05
17	HOUSING END CAP	A3.000ACT06
18	FEMALE BACK-UP RING	A3.000ACT11
19	MALE BACK-UP RING	A3.000ACT12
20	HOUSING	A3.000ACT03
21	OUTER HOUSING	A3.000ACT02
22	LOCKING STEM	A3.000ACT01
23	SNAP RING	SH-334
24	PACKING	A3.000BOP60
25	BUTTON HEAD	1/4"x20UN
26	SNAP RING	HO-150
27	RAM BLOCK INNER SEAL RETAINER SCREW	A3.000BOP52
28	SOCKET HEAD CAP SCREW	#10-24UN
29	FLAT HEAD CAP SCREW	#10-24UN
30	PISTON NUT SCREW	#10-24UN
31	HOUSING SET SCREW	1/4"-20UN

#	O-RING #	AMOUNT
32	112	1+2 BACK-UP RINGS
33	009	1
34	153	2
35	014	2
36	228	2+4 BACK-UP RINGS
37	215	4
38	228	2
39	240	2
40	219	2
41	144	2
42	340	1

PURPOSE:

To equalize and isolate pressure to the lubricator, by hydraulic pressure, without closing the wellbore.

SPECIFICATION:

Pressure Rating 5000psi

TOOL

W.P.C.
**3" WIRELINE VALVE WITH
HYDRAULIC ACTUATORS**



**WESTERN PRESSURE
CONTROLS 2005 LTD.**
10021-56TH AVENUE
EDMONTON, AB, CA
PH: (780) 437-3615
FX: (780) 437-3616

www.westernpressure.com